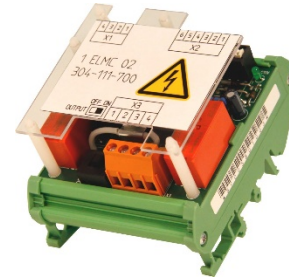


# 1 ELMC 02 BEACON CONTROL MODULE

The beacon control module is used to switch flashing warning beacon lines or loops. Together with a line monitoring unit (e.g. 6 LME 01 from INDUSTRONIC) the module can also monitor them.



- Switching and monitoring of flashing warning beacons wired as line or loop
- Suitable for flashing warning beacons with voltages of 24 V DC, 48 V DC, 60 V DC, 115 V AC, and 230 V AC
- Easy installation in DIN rail for mounting in cabinets
- Integrated thermal overload protection
- Integrated overvoltage protection
- Line outputs can be isolated for maintenance purposes

## MECHANICAL DATA

<b>Design</b>	DIN rail mounting
<b>Width x height x depth</b>	90 mm x 73 mm x 65 mm (3.54" x 2.87" x 2.56")
<b>Connections for switching/power supply</b>	Push-in terminals 1.5 mm <sup>2</sup>
<b>Connections for field wiring</b>	Screw terminals 4 mm <sup>2</sup>
<b>Weight</b>	Approx. 0.14 kg (approx. 0.31 lbs)

## ELECTRICAL DATA

<b>Control voltage</b>	42 V DC to 70 V DC
<b>Current consumption</b>	28 mA (at 48 V)
<b>Internal monitoring resistor</b>	206 Ohms (+/- 5 %)
<b>AC load voltage</b>	115/230 V AC (+/- 20 %)
<b>AC load current</b>	Max. 4.2 AAC
<b>DC load voltage</b>	Max. 72 V DC
<b>DC load current</b>	Max. 5 A at 24 V DC, Max. 5 A at 48 V DC, Max. 3 A at 60 V DC to 72 V DC

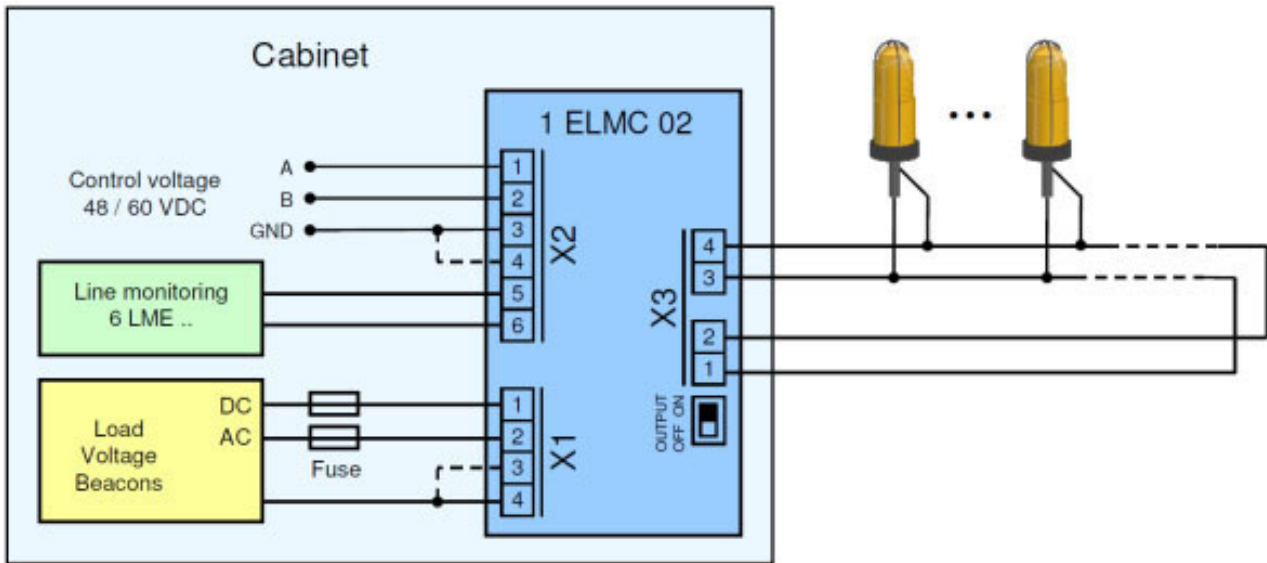
## ENVIRONMENTAL REQUIREMENTS AND STANDARDS

<b>Ambient temperature during operation</b>	-10 °C to +55 °C (+14 °F to +131 °F)
<b>Relative humidity (non-condensing)</b>	Max. 95 %

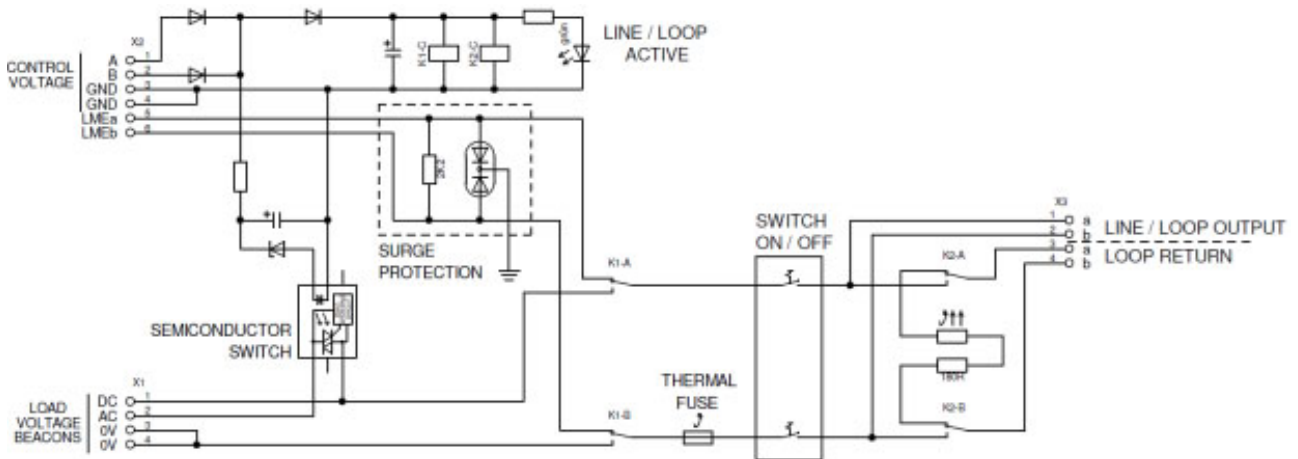
## ORDER DATA

<b>Type number</b>	304-111-700
--------------------	-------------

## APPLICATION



## BLOCK DIAGRAM



© INDUSTRIONIC