



# B400STR FLASHING WARNING BEACON

## FOR USE IN INDUSTRIAL ENVIRONMENTS

The flashing warning beacon is used to visually indicate alarm signals and incoming calls. It is connected to and controlled via the INDUSTRONIC system.

The robust beacon can be installed both indoors and outdoors.



- Weather-proof flashing warning beacon for industrial environments
- Degree of protection IP65
- Xenon flash light
- Bayonet lock
- Impact-proof lens
- 3 distinct user selectable flash patterns
- Universal application possibilities

### MECHANICAL DATA

<b>Housing material</b>	UV-resistant Polycarbonate
<b>Lens material</b>	UV-resistant Polycarbonate
<b>Diameter x height</b>	Ø 140 mm x 220 mm (Ø 5.51" x 8.66")
<b>Cable gland</b>	2 x M20
<b>Push-through grommet</b>	1 x 5 mm to 7 mm (0.20" x 0.28")
<b>Weight</b>	Approx. 0.54 kg (approx. 1.19 lbs)
<b>Lens color</b>	Amber, Red, Yellow (other colors upon request)

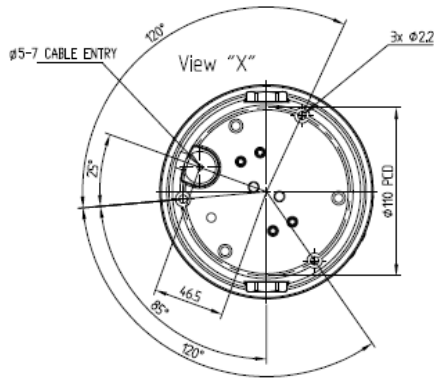
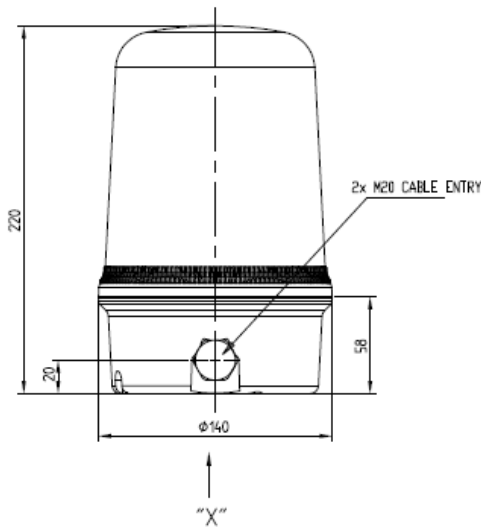
### ELECTRICAL DATA

Version	Voltage Range	Current Consumption
230 VAC (50/60 Hz)	+/-10 %	225 mA
48 VDC	+/-10 %	480 mA

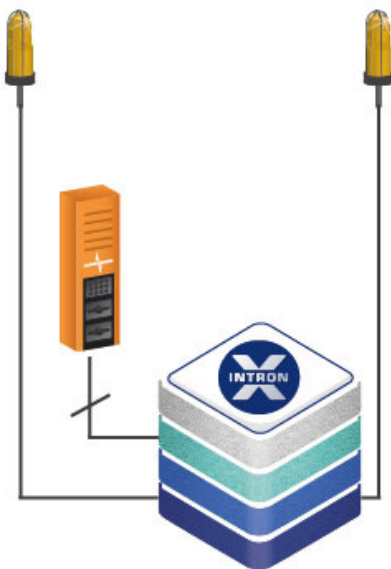
### FLASH DATA

<b>Flash energy</b>	15 Joule
<b>Flash rate</b>	Double strike 0.75 Hz, single strike 1 Hz and triple strike 0.5 Hz (adjustable)

## DIMENSIONS



## APPLICATION



## ENVIRONMENTAL REQUIREMENTS AND STANDARDS

Ambient temperature during operation	-25 °C to +50 °C (-13 °F to +122 °F)
Humidity	90 % at 20 °C (+68 °F)
Degree of protection	IP65

## OPTIONS

Mounting	Wall bracket (type no. 070-500-005) or pole mount assembly
----------	--

## TYPE OVERVIEW

Lens Color	Type	Type Number
Amber	B400STR 230 VAC/AM	070-000-067/AM
Red	B400STR 230 VAC/RD	070-000-067/RD
Yellow	B400STR 230 VAC/YE	070-000-067/YE

### Call Signaling at Intercom Stations

Call signaling is activated as soon as the intercom station receives a call. Call signaling stops as soon as the incoming call has been answered at the intercom station or a pre-programmed time has elapsed.

### Alarm Signaling

In case of an alarm, the beacon is activated for the duration of the alarm.

© INDUSTRIONIC