

# B400STR

## Flashing Warning Beacon



### Features and Functions

- Universal application possibilities
- Suitable for industrial environments
- Degree of protection IP65
- Xenon flashlight
- Bayonet lock
- Impact-proof lens
- Three selectable flash patterns

The flashing warning beacon of the B400STR series can be used to visually signal alarms and calls at intercom stations. It is directly controlled via the central exchange unit. The robust beacon can be installed both indoors and outdoors.

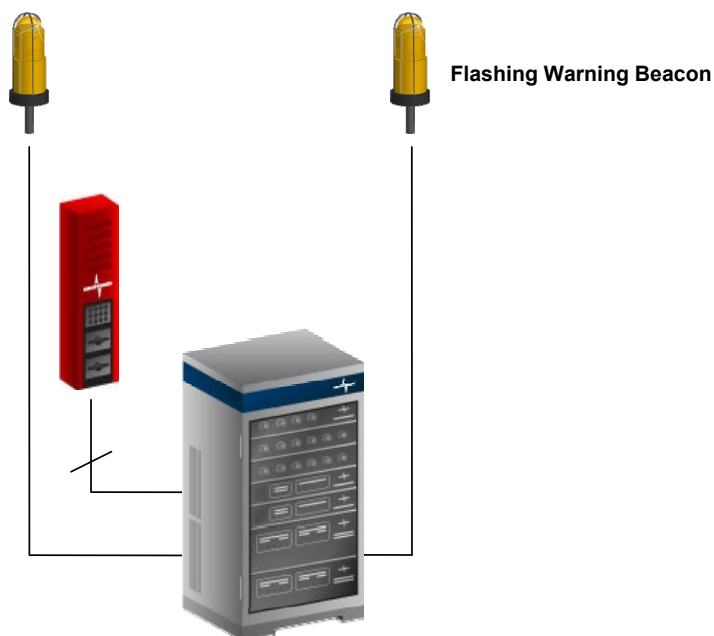


Figure 1: Application

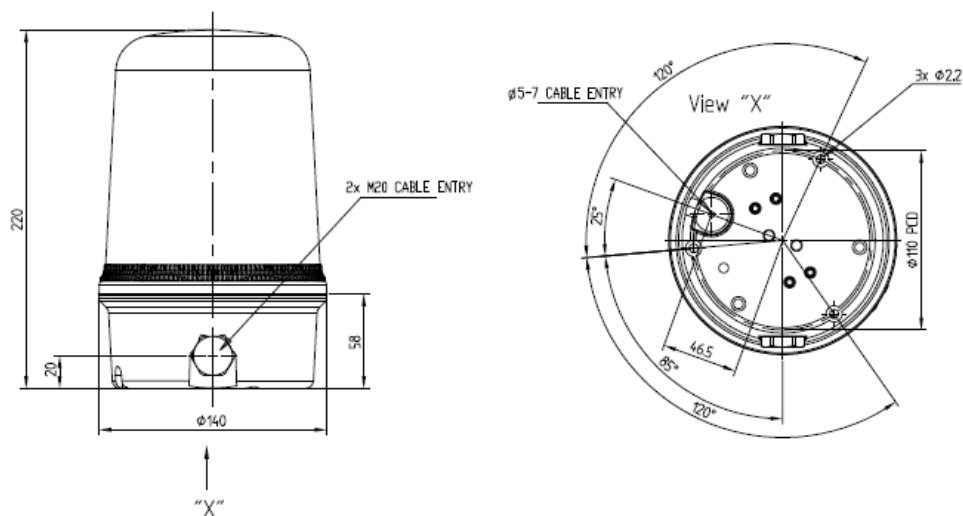


Figure 2: Dimensional drawing B400STR

#### Mechanical Data

• Housing and lens material	UV resistant polycarbonate
• Dimensions	Ø140 mm x 220 mm (5.5" x 8.7")
• Cable glands	2 x M20
• Push through grommet	1 x 5-7 mm (0.2"-0.28")
• Weight	535 g (1.2 lbs)
• Colors	Amber, red, yellow, clear, blue

#### Electrical Data

Version	Voltage Range	Current Consumption
230 VAC (50/60 Hz)	+/- 10 %	225 mA
48 VDC	+/- 10 %	480 mA

#### Flash Data

• Flash energy	15 Joules
• Flash rate	Double strike 0,75 Hz, single strike 1 Hz, and triple strike 0.5 Hz (adjustable)

#### Optional

• Mounting	Wall bracket (type number: 070-500-005) or pole mount assembly
------------	--

**Environmental Requirements and Standards**

- |  |                                    |
|--|------------------------------------|
| • Ambient temperature during operation | -25 °C - +50 °C (-13 °F - +122 °F) |
| • Humidity                             | 90 % at 20 °C (68 °F)              |
| • Degree of protection                 | IP65                               |

Type	Type Number	Lens Color
B400STR 230 VAC / AM	070-000-067/AM	Amber
B400STR 230 VAC / BU	070-000-067/BU	Blue
B400STR 230 VAC / CL	070-000-067/CL	Clear
B400STR 230 VAC / RD	070-000-067/RD	Red
B400STR 230 VAC / YE	070-000-067/YE	Yellow

**INDUSTRONIC®**

Industrie-Electronic GmbH & Co. KG  
 Carl-Jacob-Kolb-Weg 1  
 97877 Wertheim / Germany

Tel: +49 9342 871-0  
 Fax: +49 9342 871-565

info@industronic.de  
 www.industronic.com