

0 FBU ... / 0 FBV ... Radio Base Station



Main features

- 96 programmable voice connections
- Up to 10 programmable channels, 1 channel must be fixed
- Transmitting power up to 25 W
- 5-tone selective call according to ZVEI 1 for communication control
- Busy signaling when frequency is used
- Available in VHF or UHF version

The radio base station 0 FBU ... / 0 FBV ... is used as interface between the radio devices and the INDUSTRONIC communication and public address system with digital interfaces. It is possible to establish a voice connection from an intercom station to a handheld radio or mobile radio. The radio base station can be installed at a remote location in proximity to the antenna.

Components

- Radio device
- Control unit
- Digital I/O board
- AC power supply or DC/DC converter

Optional

- AC power supply
- 60 VDC power supply via INDUSTRONIC system

Mechanical data

- | | |
|--------------------------|--|
| • Height x width x depth | 244 mm x 203 mm x 196 mm
(9 1/2" x 8" x 7 3/4") |
| • Housing material | Aluminum |
| • Weight | approx. 5 kg (approx. 11 lb) |

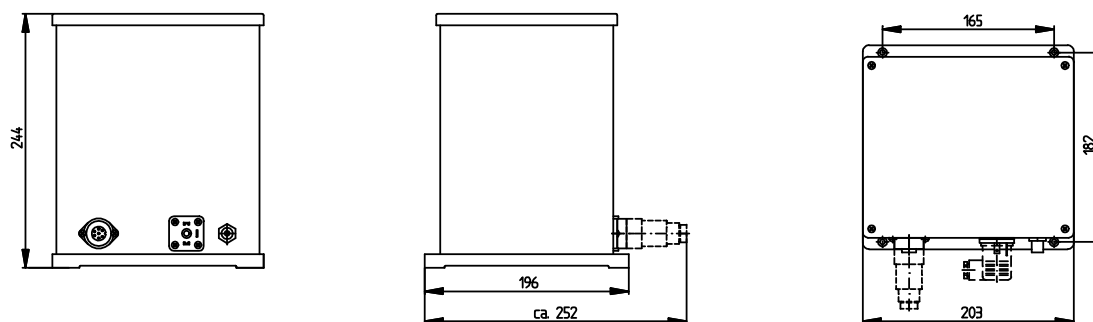


Figure 1: Dimensional drawing 0FBU ... / 0FBV ...

General electrical data	• Operating voltage VDC	60 VDC	
	• Operating voltage VAC	110 VAC / 230 VAC	
Electrical data radio device	• Frequency range	146 MHz to 174 MHz (VHF) 440 MHz to 470 MHz (UHF)	
	• Channel spacing	12.5 kHz / 20 kHz / 25 kHz	
	• Frequency stability	+/- 2.5 PPM	
	• Antenna impedance	50 ohm	
	• Five-tone selective call	ZVEI 1	
	Transmitter	• Transmitting power	AC: adjustable 1 W to 25 W DC: adjustable 1 W to 2 W
		• Modulation limit	+/- 2.5 kHz to 12,5 kHz +/- 4 kHz to 20 kHz +/- 5 kHz to 25 kHz
	Receiver	• Receiver sensitivity	<0.3 μ V (12 dB SINAD)
		• Intermodulation (ETS)	>65 dB
	Environmental requirements and standards	• Degree of Protection of radio device in housing	IP65
• Temperature range		-20 °C to +55 °C (IEC 68-2-1/2) (-4 °F to 131 °F)	
• Relative humidity		93 % (IEC 68-2-3)	
• EC directive		1999/5/EC (directive for radio and telecommunications terminal equipment)	

INDUSTRONIC®

Industrie-Electronic GmbH & Co. KG
Carl-Jacob-Kolb-Weg 1
97877 Wertheim / Germany

Tel.: +49 9342 871-0
Fax: +49 9342 871-565

info@industronic.de
www.industronic.com