

DSP 15 EExeNT – IECEx 25 W

Explosion-proof Horn Speaker



Main features

- Robust industrial technology
- Sturdy and robust design
- Ingress protection IP 67

The explosion proof horn speakers from DSP 15 EExeNT - IECEx 25 W series are used together with the INDUSTRONIC communication and public address system. They are ideal for harsh and challenging environments as well as extreme temperatures. The M20 cable gland protects against the ingress of dust and water.

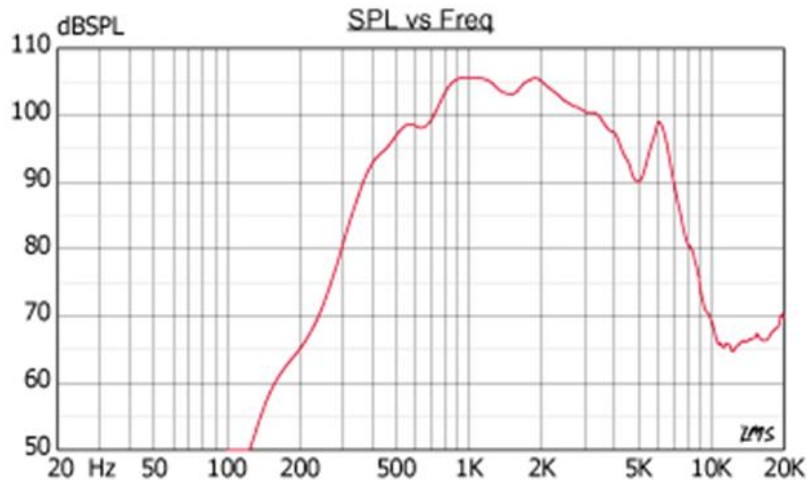
Mechanical data

| | |
|---------------------------|---|
| • Housing | Special plastic, anti-static |
| • Front dimensions, depth | 186 mm x 144 mm, 207 mm (7 1/4" x 5 1/4"; 8") |
| • Cable entries | 2 x M20 x 1,5 |
| • Cable gland | 1 x M20 x 1,5 |
| • Connection | E-chamber terminals |
| • Ingress protection | IP 67 |
| • Weight | 2.0 kg (5 1/2 lb) |
| • Color | Black RAL 7031 |
| • Mounting | Stainless steel bracket |

Electrical data

| | |
|----------------------------------|-------------------------------------|
| • Rated power | 25 W |
| • Transformer tapplings | 100 V : 25 W/ 12.5 W/ 5 W/ 2.5 W |
| • Sound pressure level 1 W, 1 m | 105 dB |
| • Sound pressure level 25 W, 1 m | 117 dB |
| • Effective frequency range | 410 Hz to 7000 Hz |
| • Dispersion angle -6 dB | 1 kHz: 200°, 4 kHz: 50° |
| • Certification number | Ex de IIB+H2 T4, IECEx NEM 05.0005 |
| • Operating temperature | -50 °C to +55 °C (-58 °F to 122 °F) |

Frequency diagram



Measurement conditions:

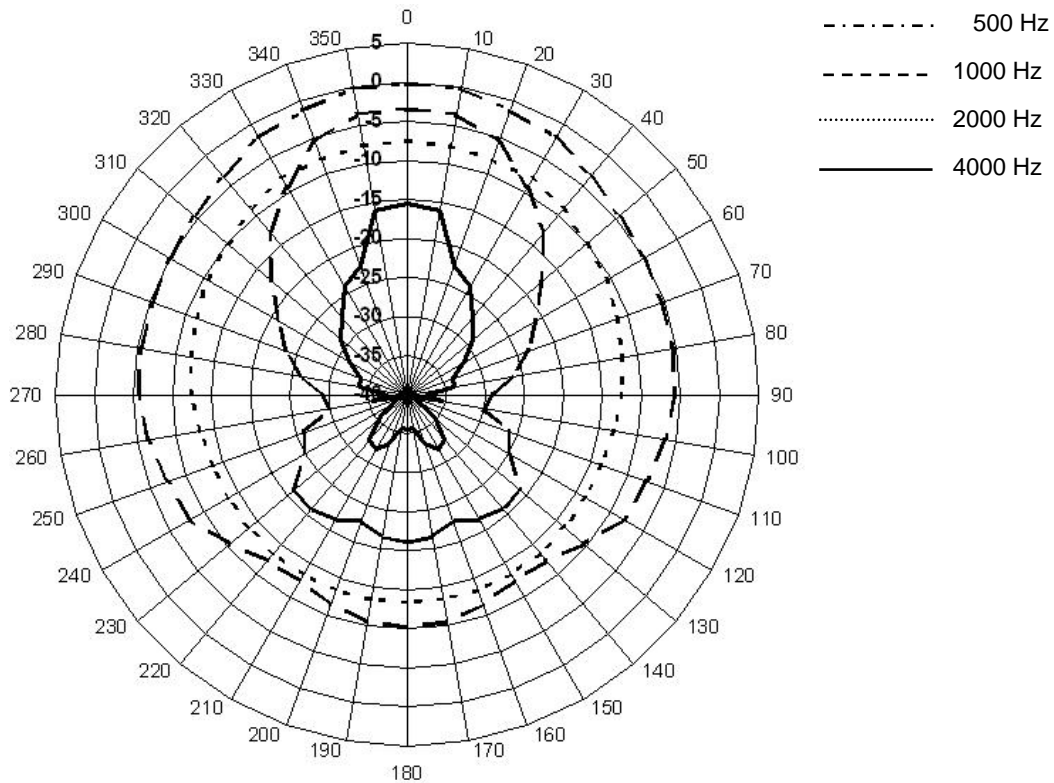
Sound Pressure Level (SPL): 1 W / 1 m

Pink noise: 1/3 octave filter

Output level related to distance

| P _{max} : 25 W | Level (dB) | (-6dB) | (-14dB) | (-20dB) | (-23dB) | (-26dB) | (-28dB) | (-29dB) | (-36dB) |
|----------------------------|------------|--------|---------|---------|---------|---------|---------|---------|---------|
| | at | 2 m | 5 m | 10 m | 15 m | 20 m | 25 m | 30 m | 65 m |
| | 1 m | 2 m | 5 m | 10 m | 15 m | 20 m | 25 m | 30 m | 65 m |
| | 117 | 111 | 103 | 97 | 94 | 91 | 89 | 88 | 81 |

Polar diagram



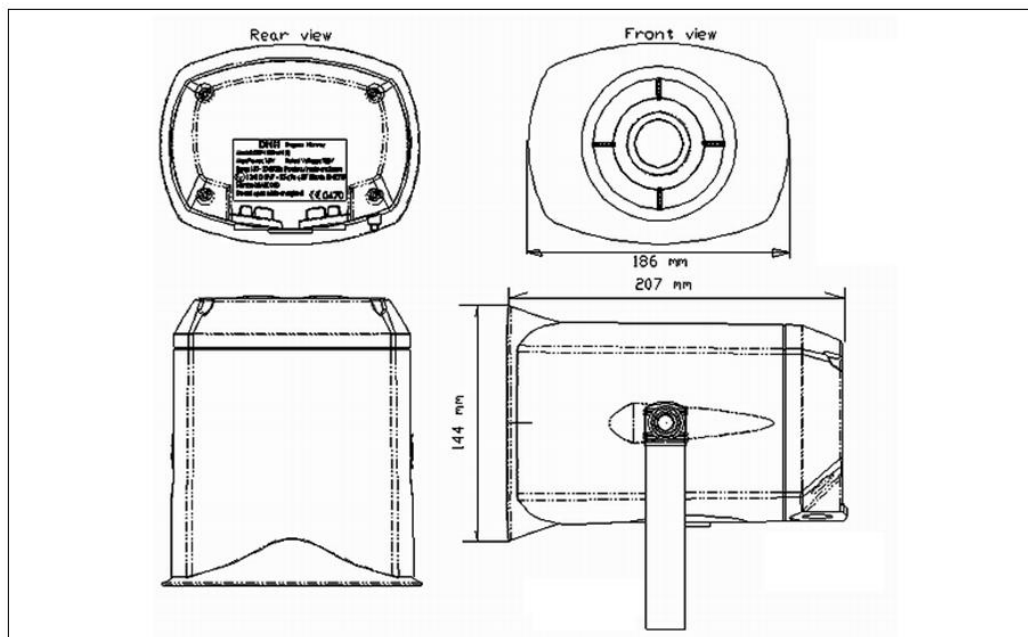


Figure 1: Dimensional drawing DSP 15 EExeNT – IECEx 25°W

INDUSTRONIC®

Industrie-Electronic GmbH & Co. KG
 Carl-Jacob-Kolb-Weg 1
 97877 Wertheim / Germany

Tel.: +49 9342 871-0
 Fax: +49 9342 871-565

info@industronic.de
 www.industronic.com