

DSP 15 25 W EExmNT SL - ATEX

Explosion-proof Horn Speaker



Main features

- Robust industrial technology
- Sturdy and robust design
- Ingress protection IP 67
- ATEX certification

The explosion-proof horn speakers of the DSP 15 25W EExmNT SL – ATEX series are used together with the INDUSTRONIC communication and public address system. They are ideal for extremely cold environments.

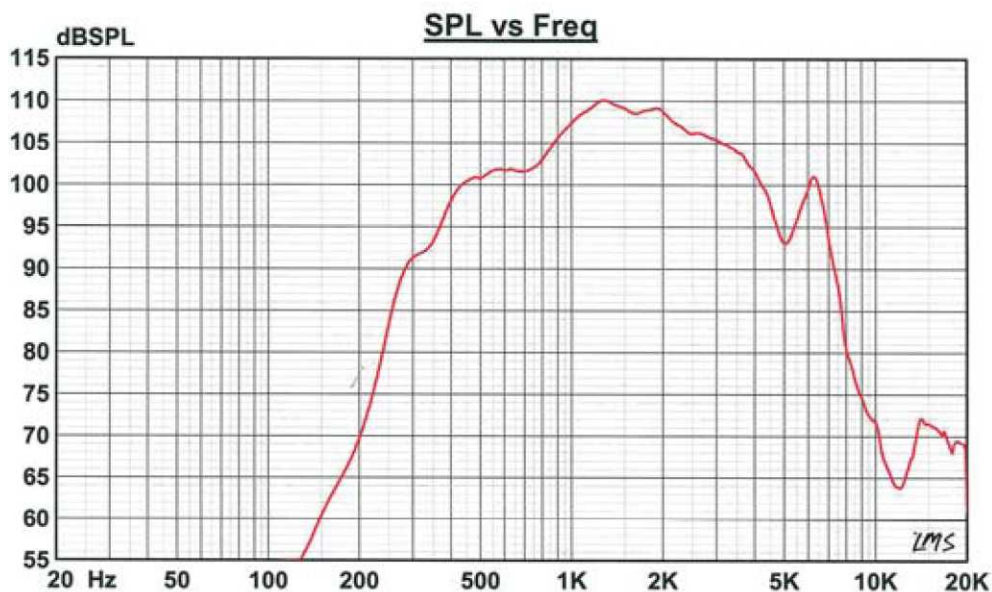
Mechanical Data

• Housing	Special plastic
• Dimensions (length x width)	342 mm x 170 mm (13 1/2" x 6 3/4")
• Horn dimensions	272 mm x 197 mm (10 3/4" x 7 3/4")
• Cable entries	2 x M20 x 1.5
• Cable gland	1 x M20 x 1.5
• Ingress protection	IP 67
• Weight	2.3 kg (5 lb)
• Color	Black
• Mounting	Bracket

Electrical Data

• Rated power	25 W
• Transformer tapings	100 V: 25 W / 14 W / 6,5 W / 5 W / 2,5 W / 1,5 W
• Sound pressure level 1 W, 1 m	105 dB
• Sound pressure level 25 W, 1 m	118 dB
• Effective frequency range	380 Hz to 7000 Hz
• Dispersion angle (-6 dB)	1 kHz: 200° 4 kHz: 50°
• Certification	Ex II 2 GD, EEx dem IIB+H ₂ T4
• Operating temperature	- 50 °C to + 50 °C (-58 °F to 122 °F)

Frequency diagram



Measurement conditions

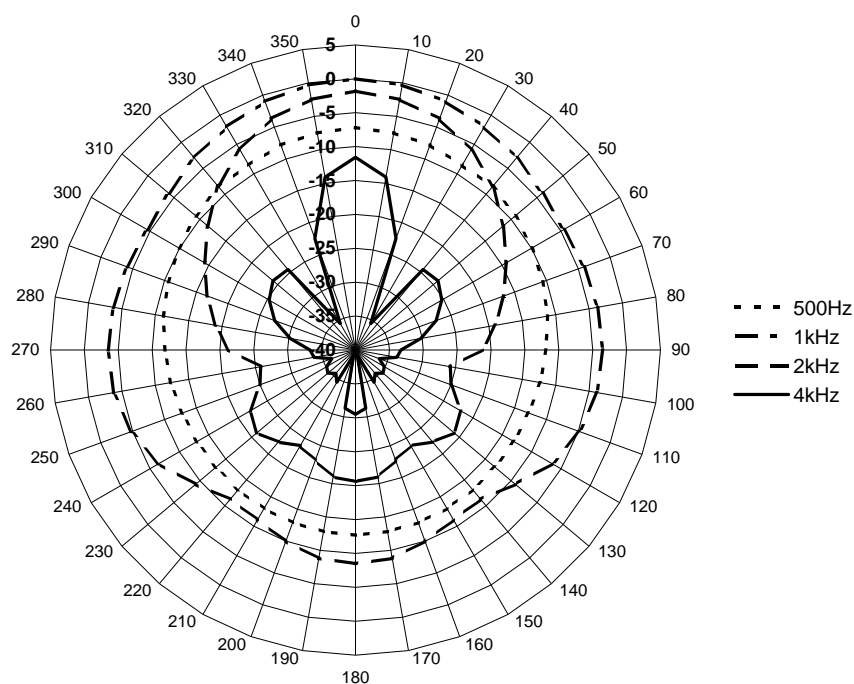
Sound pressure level (SPL): 1 W / 1m

Pink noise: 1/3 octave filter

Output level related to distance:

P _{max} : 25 W	Level (dB)	(-6dB)	(-14dB)	(-20dB)	(-23dB)	(-26dB)	(-28dB)	(-29dB)	(-36dB)	
	at									
	1 m	2 m	5 m	10 m	15 m	20 m	25 m	30 m	65m	
		118	112	104	98	95	92	90	89	82

Polar diagram



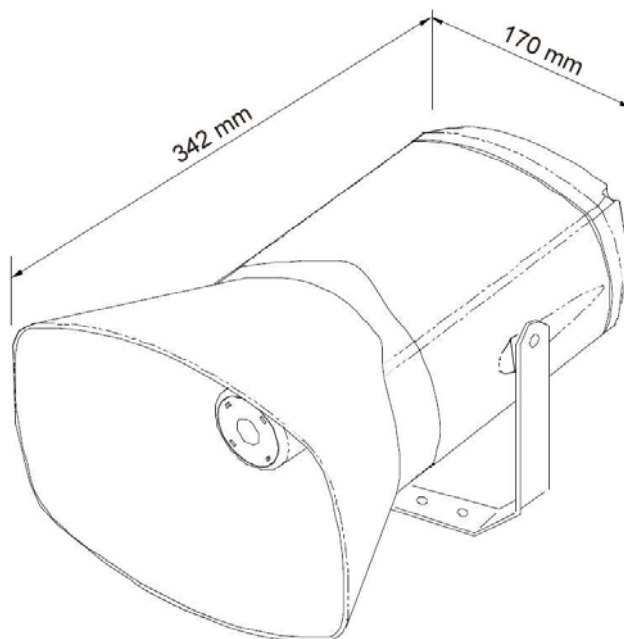


Figure 1: Dimensional drawing DSP 15 25°W EExmNT SL - ATEX

INDUSTRONIC®

Industrie-Electronic GmbH & Co. KG
 Carl-Jacob-Kolb-Weg 1
 97877 Wertheim / Germany

Tel.: +49 9342 871-0
 Fax: +49 9342 871-565

info@industronic.de
 www.industronic.com