

DSP 25 EExmNT – ATEX

Explosion-proof Horn Speaker



Main features

- Robust industrial technology
- Sturdy and robust design
- Ingress protection IP 66

The explosion proof horn speakers of the DSP 25 EExmNT – ATEX series are used together with the INDUSTRONIC communication and public address system. They are ideal for harsh and challenging environments as well as extreme temperatures. The M20 cable gland protects against the ingress of dust and water.

Mechanical data

• Housing	Special plastics
• Dimensions (diameter / depth)	Ø 250 mm / 340 mm (9 3/4" / 13 1/2")
• Cable entries	2
• Cable gland	1 x M20 x 1.5
• Ingress protection	IP 66
• Weight	4.0 kg (9 lb)
• Color	Black
• Mounting	Stainless steel bracket

Electrical data

• Rated power	25 W
• Transformer	100V: 25 W / 12,5 W / 6 W / 4 W / 2 W / 1 W
• Sound pressure level 1 W, 1 m	106 dB
• Sound pressure level 25 W, 1 m	117 dB
• Effective frequency range	370 Hz to 7000 Hz
• Dispersion (-6dB)	1 kHz: 110° 4 kHz: 30°
• Certification	Ex II 2 GD, EEx dem IIB+H ₂ T5
• Ambient temperature	- 53 °C to + 55 °C

Frequency diagram



Measurement conditions:

Sound Pressure Level (SPL): 1 W / 1 m

Pink noise: 1/3 octave filter

Output level related to distance:

P _{max} : 25 W	Level (dB) at	(-6dB)	(-14dB)	(-20dB)	(-23dB)	(-26dB)	(-28dB)	(-29dB)	(-36dB)
	1 m	2 m	5 m	10 m	15 m	20 m	25 m	30 m	65 m
	117	111	103	97	94	91	89	88	81

Polar diagram

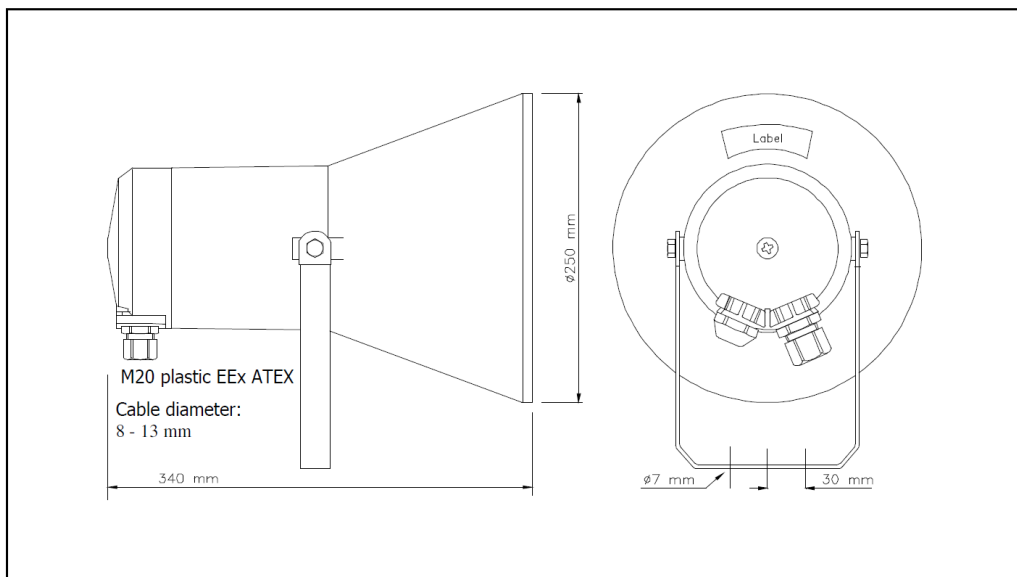
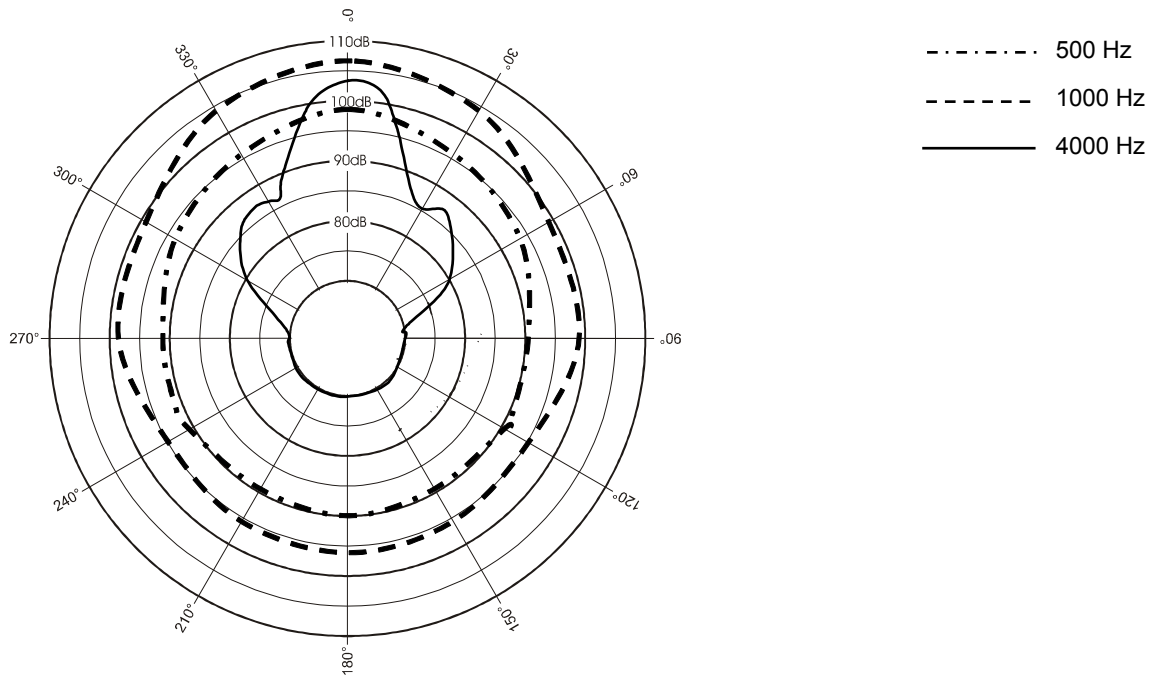


Figure 1: Dimensional drawing DSP 25 EExmNT – ATEX

INDUSTRONIC®

Industrie-Electronic GmbH & Co. KG
 Carl-Jacob-Kolb-Weg 1
 97877 Wertheim / Germany

Tel.: +49 9342 871-0
 Fax: +49 9342 871-565

info@industronic.de
 www.industronic.com