

HP-20 EExIINT - ATEX

Weatherproof Horn Speaker



Main features

- Robust industrial technology
- Sturdy and robust design
- Ingress protection IP 66
- ATEX certification
- Stainless mounting bracket

The weatherproof horn loudspeakers of the HP-20 EExIINT series are used together with the INDUSTRONIC communication and public address system. The M20 cable gland protects against the ingress of dust and water.

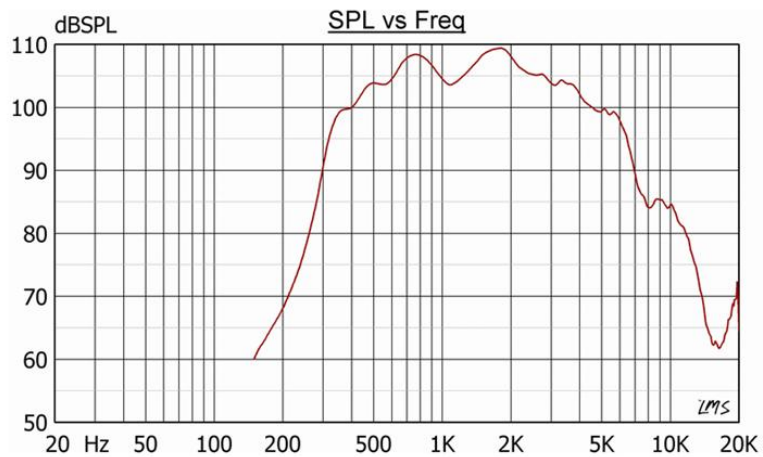
Mechanical data

• Housing	Anti-static polyamid
• Dimensions (diameter / depth)	Ø 237 mm / 286 mm (9 1/4" / 11 1/4")
• Cable entries	2 x M 20 x 1,5
• Cable gland	1 x M 20 x 1.5
• Ingress protection	IP 66
• Weight	2.3 kg (5 lb)
• Color	Black
• Mounting	Stainless steel bracket

Electrical data

• Rated power	20 W
• Transformer tapings	100 V: 20 W/ 10 W/ 6 W/ 5 W/ 2 W/ 1.5 W
• Sound pressure level 1 W, 1 m	110 dB
• Sound pressure level 20 W, 1 m	122 dB
• Efficient frequency range	310 Hz to 8000 Hz
• Dispersion angle -6 dB	1 kHz: 115°; 4 kHz: 30°
• Certification (zone 2 and zone 22)	Ex II 3 GD T94°C, EEx nA II T3
• Operating temperature	-50 °C to +50 °C (-58 °F to 122 °F)

Frequency diagram



Measurement conditions

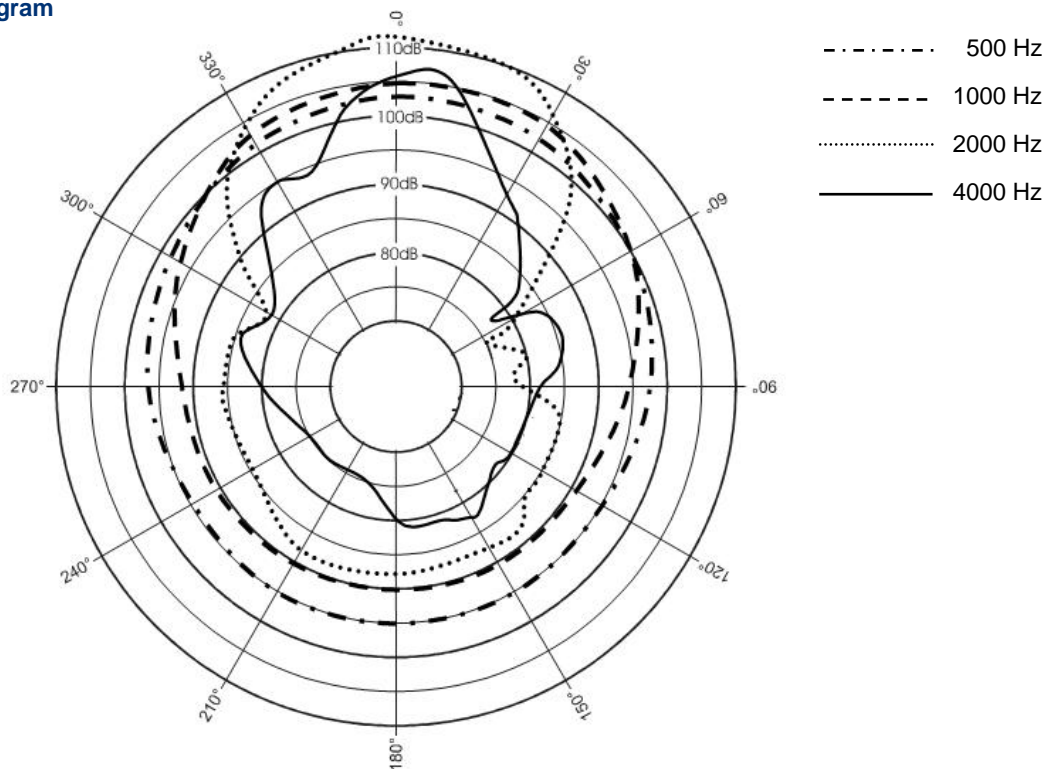
Sound pressure level (SPL): 1 W / 1 m

Pink noise: 1/3 octave filter

Output level related to distance

P _{max} : 20 W	Level (dB) at	(-6dB)	(-14dB)	(-20dB)	(-23dB)	(-26dB)	(-28dB)	(-29dB)	(-36dB)	
		1 m	2 m	5 m	10 m	15 m	20 m	25 m	30 m	65 m
		122	116	108	102	99	96	94	93	86

Polar diagram



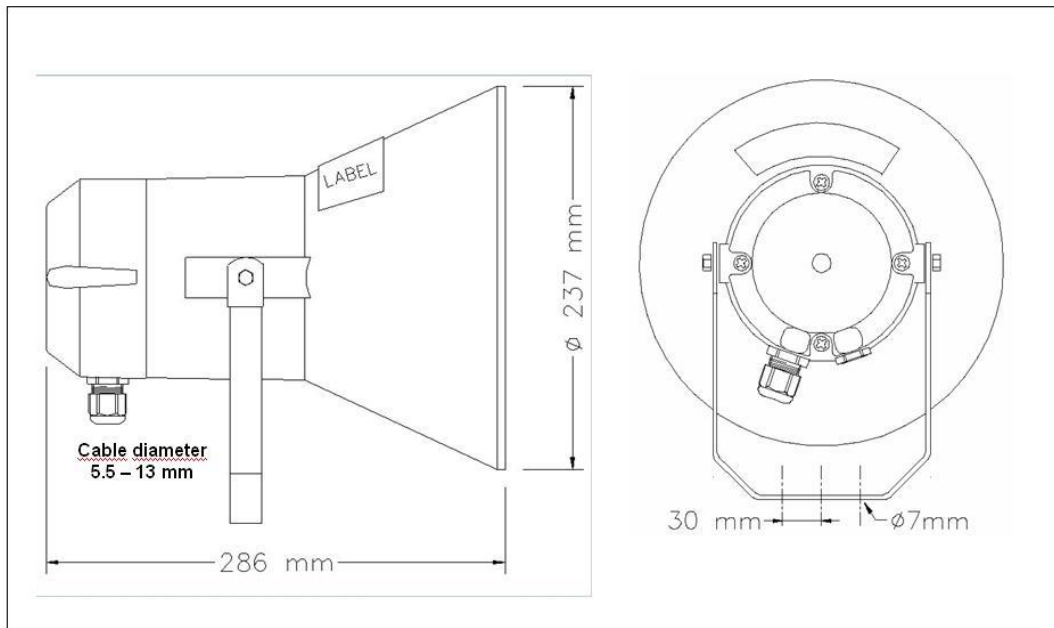


Figure 1: Dimensional drawing HP-20 EEIINT - ATEX

INDUSTRONIC®

Industrie-Electronic GmbH & Co. KG
 Carl-Jacob-Kolb-Weg 1
 97877 Wertheim / Germany

Tel.: +49 9342 871-0
 Fax: +49 9342 871-565

info@industronic.de
 www.industronic.com