

# KL 15 / 6 UE

## Weather-proof Horn Speaker



### Main features

- Sturdy and robust design
- Degree of protection IP67
- Frequency range from 330 Hz to 8 kHz
- Sound pressure level up to 117 dB
- Plastic or stainless steel bracket

The weather-proof horn speakers KL 15/6 UE are part of the INDUSTRONIC communication and public address systems with digital interfaces. They are especially designed for the use in dusty and wet areas and have a frequency range from 330 Hz up to 8 kHz. The power adjustment is carried out at the secondary side of the transformer.

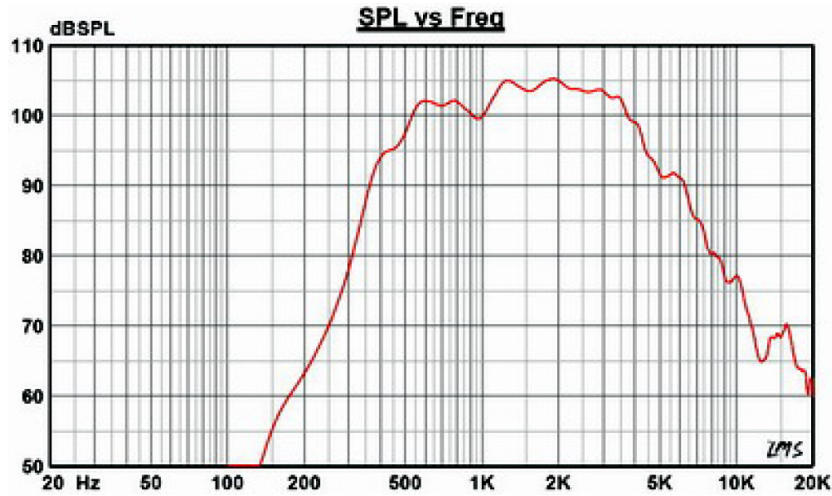
### Mechanical data

• Housing	Special plastic
• Dimensions	186 mm x 144 mm x 207 mm (7 1/4" x 5 3/4" x 8")
• Cable entries	2 x M20
• Cable gland	1 x M 20
• Connection	Terminals
• Degree of protection	IP67
• Weight	approx. 2.2 kg (approx. 5 lb)
• Color	Grey, RAL 7035
• Mounting	Plastic bracket Optional: stainless steel bracket

### Electrical data

• Rated power	15 W
• Transformer	100 V at 15 W / 7,5 W / 4 W / 2 W
• Sound pressure level 1 W, 1 m	106 dB
• Sound pressure level 15 W, 1 m (39 1/2")	117 dB
• Effective frequency range	330 Hz to 8000 Hz
• Dispersion angle - 6 dB	1 kHz: 140°, 4 kHz: 40°
• Ambient temperature	-50 °C to +90 °C (-58 °F to 194 °F)

### Frequency diagram



Measurement conditions:

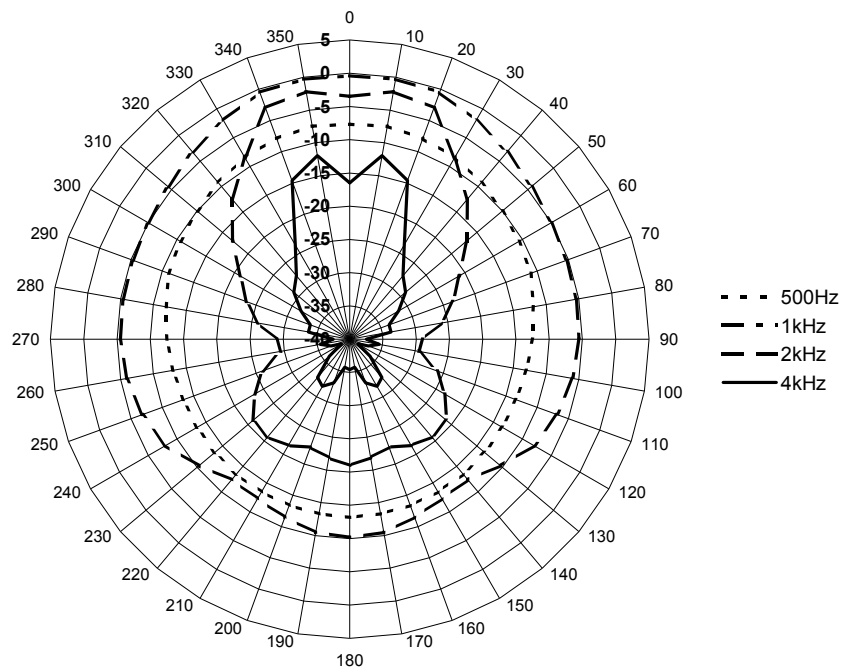
SPL: 1W / 1m,

Pink noise: 1/3 octave filter

Output level related to distance:

P <sub>max</sub> :	Level (dB)	(-6dB)	(-14dB)	(-20dB)	(-23dB)	(-26dB)	(-28dB)	(-29dB)	(-36dB)
	at								
15 W	1 m	2 m	5 m	10 m	15 m	20 m	25 m	30 m	65 m
		117	111	103	97	94	91	89	88

Polar diagram:



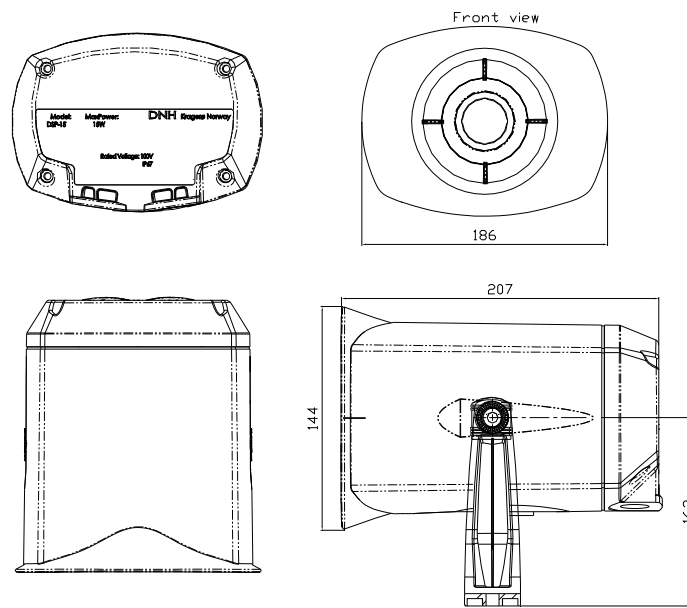


Figure 1: Dimensional drawing KL 15 / 6 UE

**INDUSTRONIC®**  
 Industrie-Electronic GmbH & Co. KG  
 Carl-Jacob-Kolb-Weg 1  
 97877 Wertheim / Germany

Tel.: +49 9342 871-0  
 Fax: +49 9342 871-565

info@industronic.de  
 www.industronic.com