

DB18 15 W EEx n - ATEX

Weatherproof Horn Speaker



Main features

- Robust industrial technology
- Sturdy and robust design
- Ingress protection IP 66
- ATEX certification
- Stainless steel screws and mounting bracket

The weatherproof horn speakers from the DB 18 15 W EEx n - ATEX series are used together with the INDUSTRONIC communication and public address system. They are suitable for all gas groups. Horn and housing are made of glass fiber reinforced polyester.

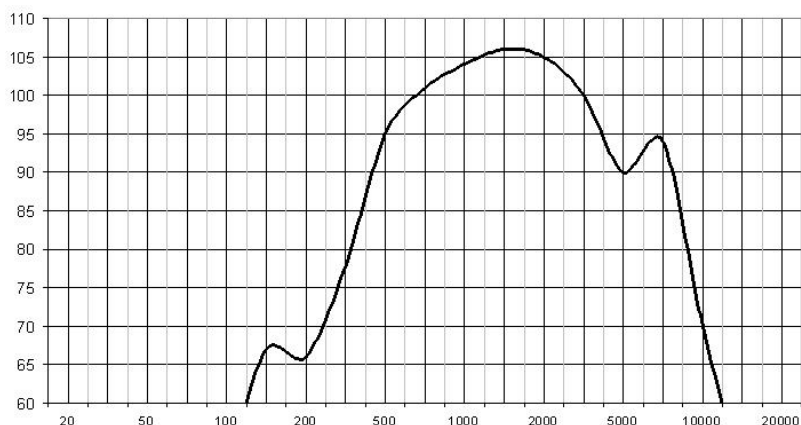
Mechanical data

• Housing	Glass fiber reinforced polyester
• Dimensions (diameter / depth)	Ø 163 mm / 245 mm (6 1/2" / 9 1/2")
• Cable entries	2 x M20
• Cable gland	1 x M20
• Ingress protection	IP 66
• Weight	2.6 kg (6 lb)
• Color	Black
• Mounting	Stainless steel bracket

Electrical data

• Rated power	15 W
• Transformer tapplings	100 V : 15 W/ 7.5 W/ 5 W/ 4 W/ 2 W/ 0.8 W
• Sound pressure level 1 W, 1 m	107 dB
• Sound pressure level 15 W, 1 m	117 dB
• Efficient frequency range	400 Hz to 7000 Hz
• Dispersion angle -6 dB	1 kHz: 150°
• Certification (zone 2, zone 22)	ATEX – Ex II 3 GD EEx nA II T135°C (T4)
• Operating temperature	-55 °C to +55 °C (-67 °F to 131 °F)

Frequency diagram



Measurement conditions

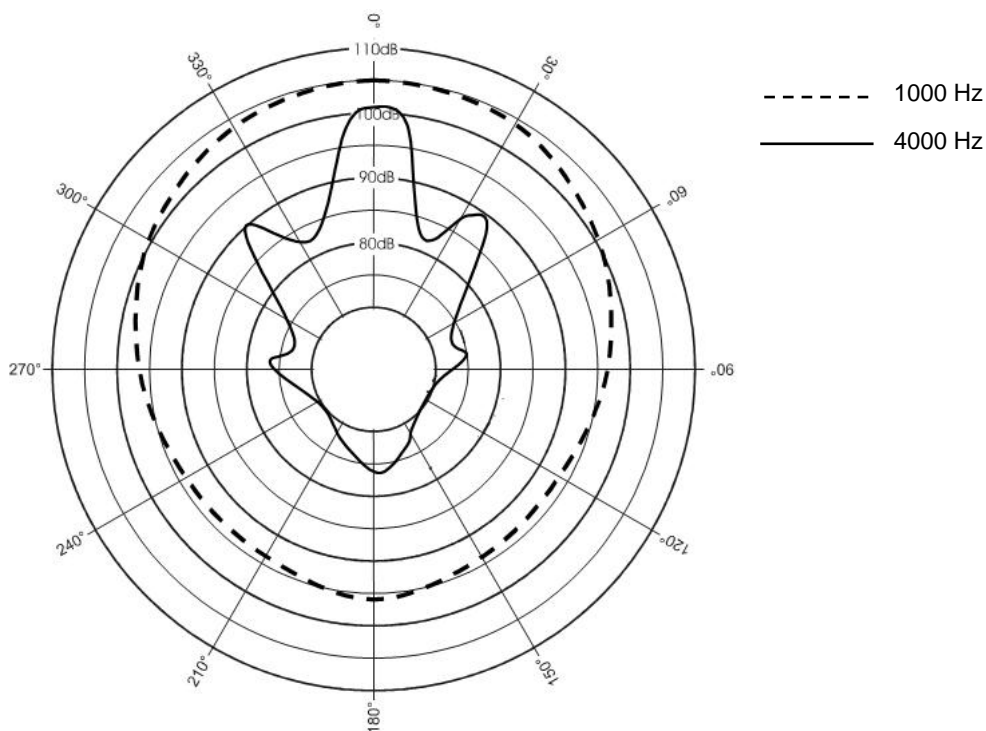
Sound pressure level (SPL): 1 W / 1 m

Pink noise: 1/3 octave filter

Output level related to distance

P _{max} : 15 W	Level (dB) at	(-6dB)	(-14dB)	(-20dB)	(-23dB)	(-26dB)	(-28dB)	(-29dB)	(-36dB)	
		1 m	2 m	5 m	10 m	15 m	20 m	25 m	30 m	65 m
		117	111	103	97	94	91	89	88	81

Polar diagram



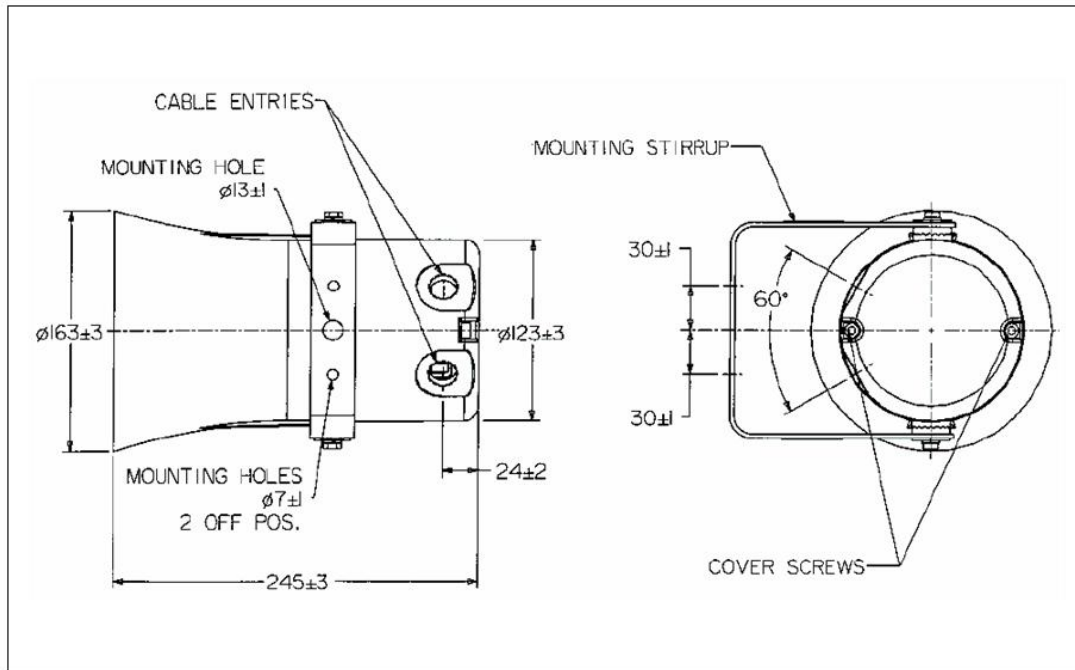


Figure 1: Dimensional drawing DB18 15 W EEx n - ATEX

INDUSTRONIC®

Industrie-Electronic GmbH & Co. KG
 Carl-Jacob-Kolb-Weg 1
 97877 Wertheim / Germany

Tel.: +49 9342 871-0
 Fax: +49 9342 871-565

info@industronic.de
 www.industronic.com