

KL 15 Ü

Weatherproof Horn Speaker



Main features

- Robust industrial technology
- Sturdy and robust design
- Ingress protection IP 54

The weatherproof horn speakers of the KL 15 Ü series are used together with the INDUSTRONIC communication and public address system.

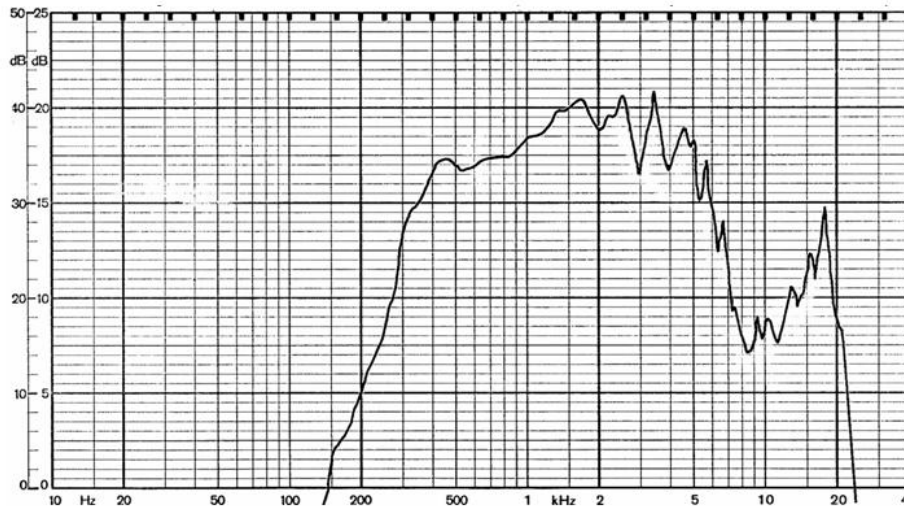
Mechanical data

• Housing	ABS
• Dimensions (diameter / depth)	Ø 250 mm / 321 mm (9 3/4" / 12 1/2")
• Cable entries	2 x M20 x 1.5
• Cable gland	1 x M20 x 1.5
• Ingress protection	IP 54
• Weight	2.8 kg (6 lb)
• Color	Grey, RAL 7035

Electrical data

• Rated power	15 W
• Transformer tapings	100 V: 15 W / 8 W / 4 W
• Sound pressure level 1 W, 1 m	103 dB
• Sound pressure level 15 W, 1 m	115 dB
• Effective frequency range	370 Hz to 6500 Hz
• Dispersion angle -6 dB	1 kHz: 120°; 4 kHz: 30°; 8 kHz: 40°
• Operating temperature	-25 °C to +65 °C (-13 °F to 149°F)

Frequency diagram



Measurement conditions

Sound pressure level (SPL): 1 W / 1 m

Pink noise: 1/3 octave filter

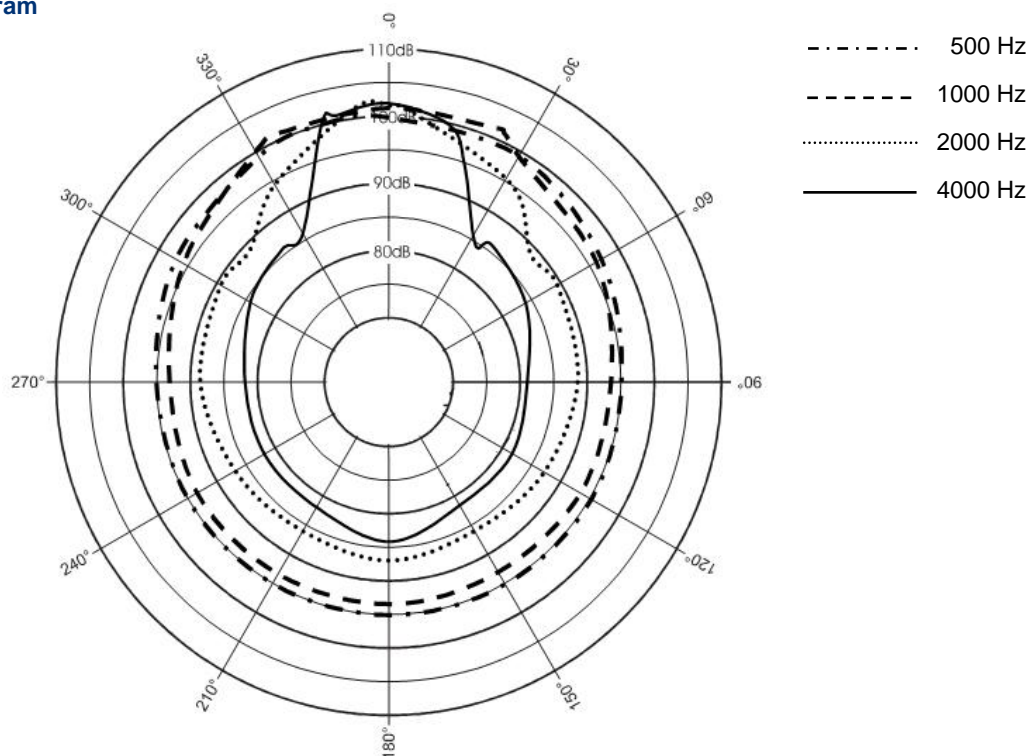
Zero level: 60 dB

Range: 50 dB

Output level related to distance

P _{max} :	Level (dB)	(-6dB)	(-14dB)	(-20dB)	(-23dB)	(-26dB)	(-28dB)	(-29dB)	(-36dB)
	at								
15 W	1 m	2 m	5 m	10 m	15 m	20 m	25 m	30 m	65 m
		115	109	101	95	92	89	87	86

Polar diagram



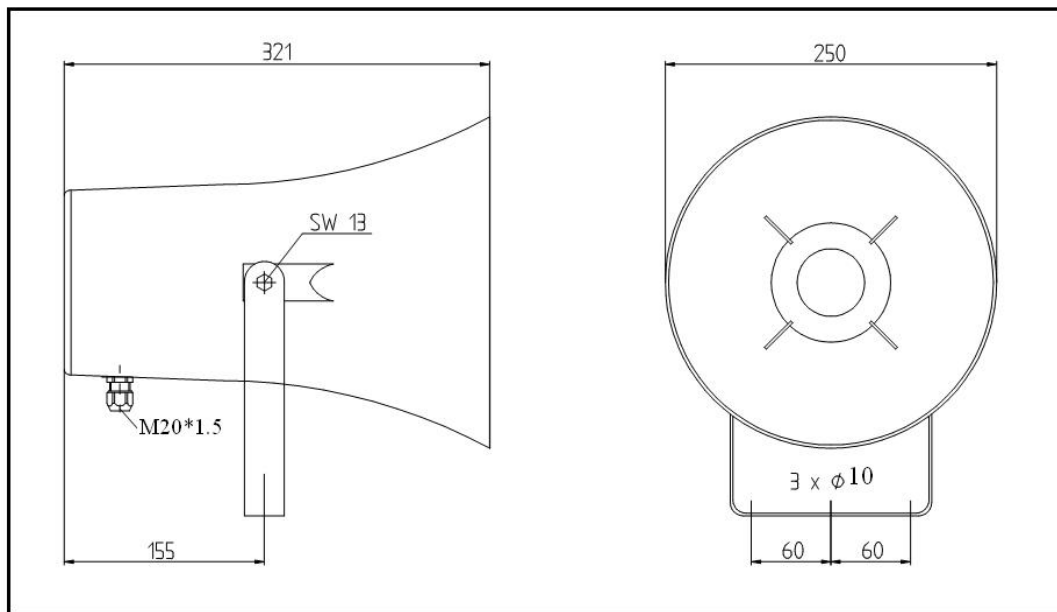


Figure 1: Dimensional drawing KL 15 Ü

INDUSTRONIC®

Industrie-Electronic GmbH & Co. KG
 Carl-Jacob-Kolb-Weg 1
 97877 Wertheim / Germany

Tel.: +49 9342 871-0
 Fax: +49 9342 871-565

info@industronic.de
 www.industronic.com