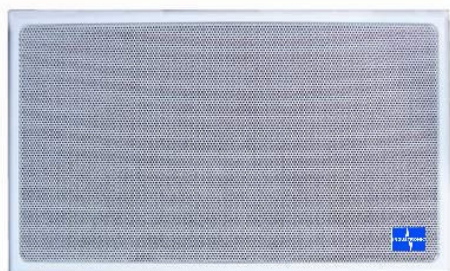


LW 6 / 2 ÜRW

Wall-mounted Loudspeaker



Main features

- Robust industrial technology
- Sturdy and robust design
- Easy mounting
- Ideal for use in indoor areas
- Suitable for speech and background music

The compact wall-mounted loudspeakers of the LW 6 / 2 ÜRW series are used together with the INDUSTRONIC communication and public address system. They are ideal for use in indoor areas, e.g. offices.

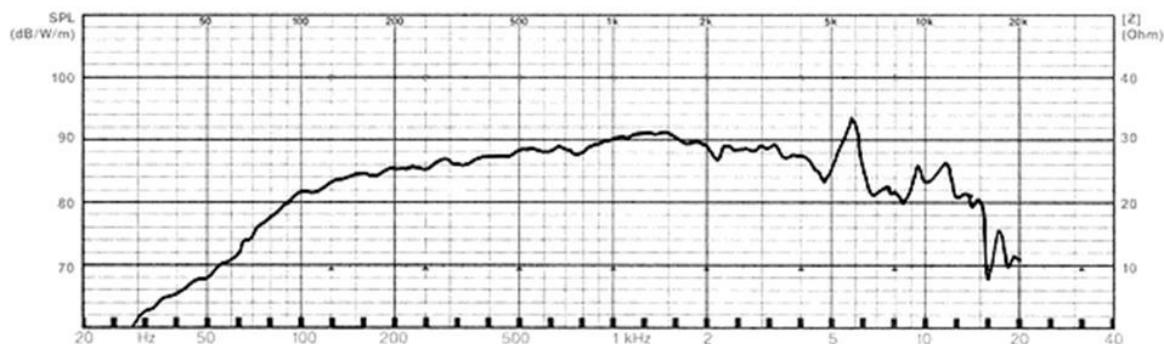
Mechanical data

• Housing	Plastic
• Grille	Metal
• Dimensions (Width x Height x Depth)	280 mm x 170 mm x 61 mm (11" x 6 3/4" x 2 1/2")
• Weight	1.15 kg (3 lb)
• Connection	Screw terminals
• Wire cross-section	Max. 2.5 mm ²
• Color	White

Electrical data

• Rated power	6 W
• Transformer tapplings	100 V: 6 W / 3 W / 1.5 W
• Sound pressure level 1 W, 1 m	88 dB
• Sound pressure level 6 W, 1 m	96 dB
• Effective frequency range	100 Hz to 16000 Hz
• Dispersion angle	1 kHz: 150°, 4 kHz: 70°

Frequency diagram



Measurement conditions

Sound pressure level (SPL): 1 W / 1 m

Pink noise: 1/3 octave filter

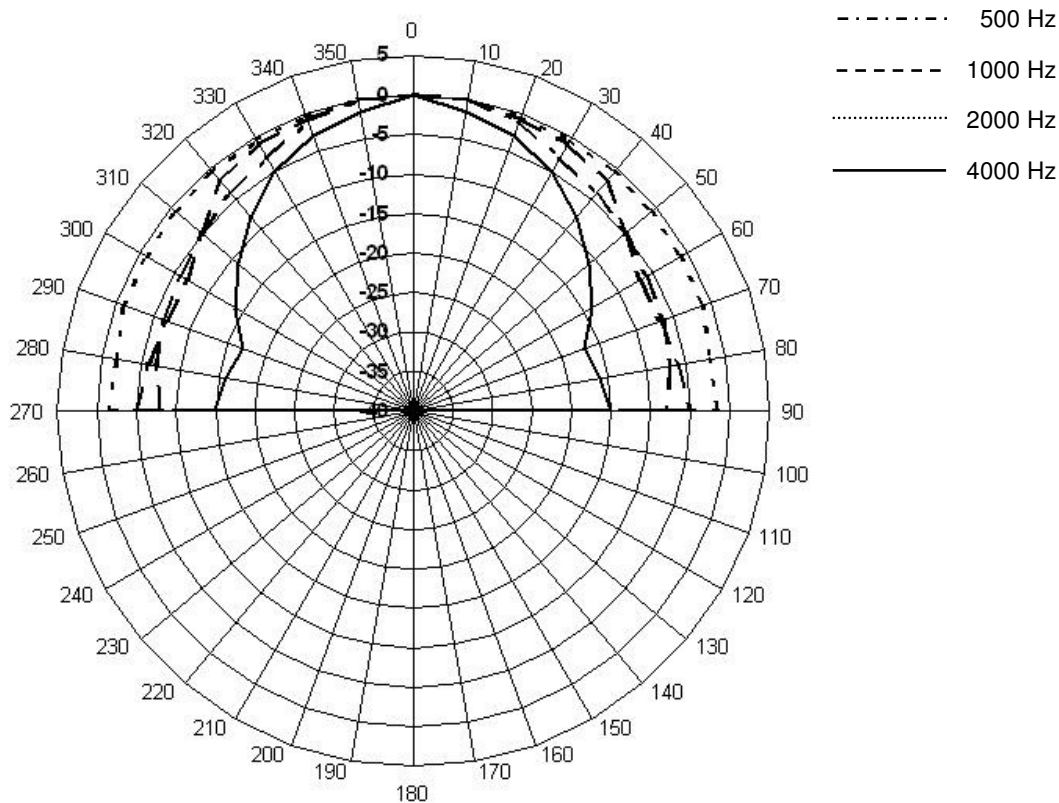
Zero level: 60 dB

Range: 50 dB

Output level related to distance

P _{max} : 6 W	Level (dB) at	(-6 dB)	(-12 dB)	(-16 dB)	(-18 dB)	(-22 dB)	(-24 dB)	(-26 dB)	(-28 dB)
	1 m	2 m	4 m	6 m	8 m	12 m	16 m	20 m	25 m
	96	90	84	80	78	74	72	70	68

Polar diagram



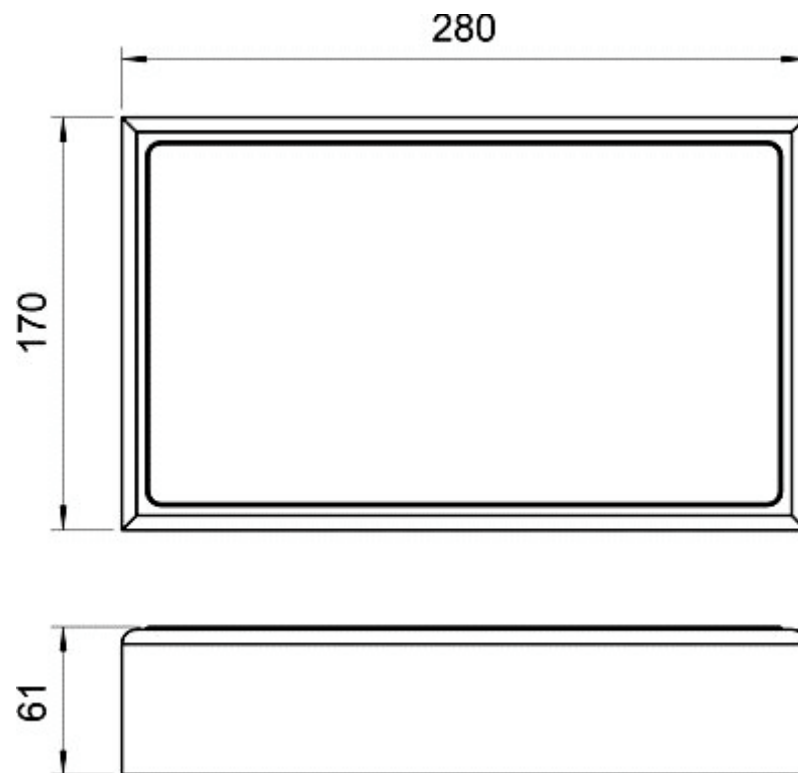


Figure 1: LW 6 / 2 ÜRW

INDUSTRONIC®

Industrie-Electronic GmbH & Co. KG
 Carl-Jacob-Kolb-Weg 1
 97877 Wertheim / Germany

Tel.: +49 9342 871-0
 Fax: +49 9342 871-517

info@industronic.de
www.industronic.com