

45 / 60 DTM 010

Digital Desktop Intercom Station



Main features

- Call or busy signal by light emitting diodes
- Noise-cancelling gooseneck microphone with dynamic compression
- Microphone sensitivity and loudspeaker volume control
- Monitoring of microphone function
- Up to 7 kHz audio bandwidth
- Potential-free relay contact

The DTM intercom stations are part of the INDUSTRONIC communication and public address system with digital interfaces. They are designed for use in control stations, measuring stations or control rooms. Foil-covered keypads with up to 60 keys can be housed in one station including the corresponding signaling via LED and labeling fields. The intercom station is continuously and the microphone in accordance with the European standard DIN EN 60849.

Components

- Plastic housing (Polystyrol)
- Gooseneck microphone 300 mm (11 3/4")
- Built-in loudspeaker
- Up to four keypads with each of 15 keys
- Display with 4 x 20 characters
- 4 function keys
- 2 status LED (red and green)
- Labeling field
- Electronics unit 0 DTM
- Color RAL 7035 (light grey)

Optional

- Keypad cover as protection against unintended actuation
- Booster amplifier 25 DVT
- DTM 110 model with connection facility for wireless headset 1 DTU or receiver 1 HAS 001 with integrated talk-back key

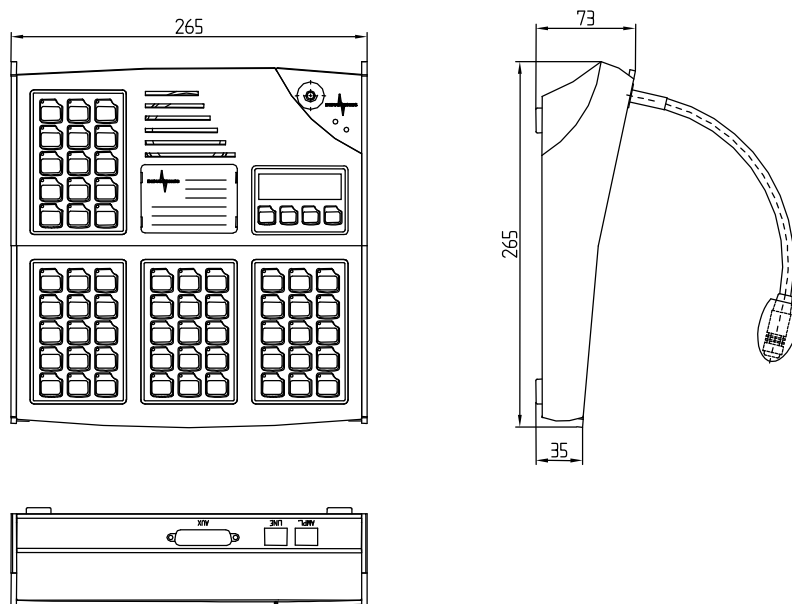


Figure 1: Dimensional drawing 45 / 60 DTM 010

Mechanical data

- | | |
|---|--|
| • Height x width x depth station (without microphone) | 73 mm x 265 mm x 265 mm x (3" x 10 1/2" x 10 1/2") |
| • Weight (station) | 1.3 kg (3 lb) |
| • Height x width x depth booster amplifier 25 DVT | 70 mm x 110 mm x 189 mm (2 3/4" x 4 1/4" x 7 1/2") |
| • Weight booster amplifier 25 DVT | ca. 0.7 kg (approx. 1 1/2 lb) |

Electrical data intercom station

- | | |
|---|-------------------|
| • Operating voltage range | 42 VDC to 72 VDC |
| • Quiescent, max. current consumption at 60 VDC | 45 mA, 100 mA |
| • Amplifier output power | 1 W |
| • Frequency range | 150 Hz to 7200 Hz |
| • Loudspeaker | 4 W / 8 ohm |

Electrical data booster amplifier

- | | |
|---------------------------------------|----------------|
| • Operating voltage range | 42 V to 72 VDC |
| • Quiescent, max. current consumption | 20 mA, 850 mA |
| • Output power | 25 W / 400 ohm |

Environmental requirements and standards

• Operating temperature	0 °C to +50 °C (32 °F to 122 °F)
• Storage temperature	0 °C to +50 °C (32 °F to 122 °F)
• Humidity non-condensing	max. 90%
• Atmospheric pressure	750 hPa to 1100 hPa
• Degree of protection	IP42
• EMC	IEC / EN 61000-6-2 IEC / EN 61000-6-4
• Monitoring of microphone acc. to	DIN EN 60849

INDUSTRONIC®

Industrie-Electronic GmbH & Co. KG
 Carl-Jacob-Kolb-Weg 1
 97877 Wertheim / Germany

Tel.: +49 9342 871-0
 Fax: +49 9342 871-565

info@industronic.de
 www.industronic.com