

# DA 014

## Digital Outdoor Intercom Station with Dial Keypad



### Main features

- Up to 2 twin keys, free of wear, to set up communication links
- Dial keypad to set up communication links to any other destination
- Call or busy signal by light emitting diodes
- Modular design for easy maintenance
- Noise compensated microphone with dynamic compression
- Microphone sensitivity and volume control
- Potential-free relay point

The DA 014 intercom stations are part of the INDUSTRONIC communication and public address system with digital interfaces. They are especially designed for areas with high noise levels, dirt or dust as well as heat or cold. Also they have an integrated dial keypad with 12 keys.

### Components

- Two-part glass fiber reinforced polyester housing, hardly inflammable
- Housing with connection board
- Plug-in front unit with all functional parts including microphone and loud-speaker
- Electronics unit 6 DSA
- Dial keypad 12 DMW with 12 keys
- Color RAL 3000 (red)

### Optional

- Color RAL 7005 (grey, DA 014/GY)
- Color RAL 2004 (orange, DA 014/OG)
- Accessory unit for additional keys
- Type DA 014/25 with booster amplifier 25 DVA

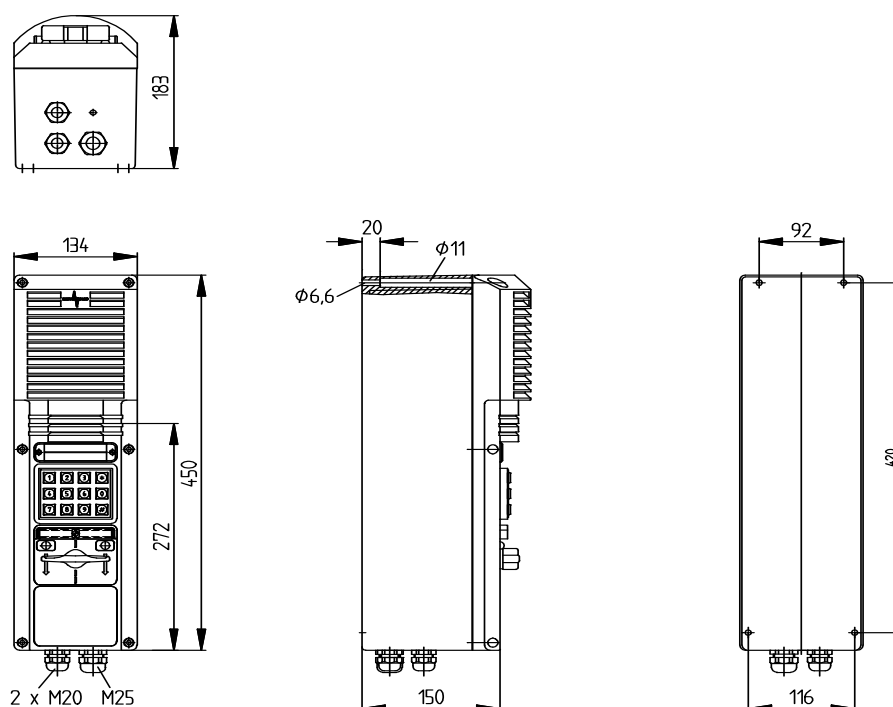


Figure 1: Dimensional drawing DA 014

#### Mechanical data

- |                          |   |
|--------------------------|---|
| • Height x width x depth | 450 mm x 134 mm x 183 mm<br>(17 3/4" x 5 1/4" x 7 1/4") |
| • Cable glands           | 1 x M25 + 2 x M20                                       |
| • Weight                 | ca. 4.5 kg<br>(approx. 10 lb)                           |

#### Electrical data intercom station

- |   |                              |
|---|------------------------------|
| • Operating voltage range                     | 42 VDC to 68 VDC             |
| • Quiescent & max. current consumption        | 20 mA, 100 mA                |
| • Sound pressure level (distance 30 cm (12")) | 115 dB                       |
| • Frequency range                             | 300 Hz to 3400 Hz            |
| • Loudspeaker                                 | 15 W / 8 ohm                 |
| • Relay                                       | 60 VDC / 30 VAC; 0.5 A; 20 W |

#### Electrical data booster amplifier

- |  |                  |
|--|------------------|
| • Operating voltage range              | 42 VDC to 68 VDC |
| • Quiescent & max. current consumption | 60 mA / 850 mA   |
| • Output power                         | 25 W / 400 ohm   |

**Environmental requirements and standards**

• Ambient temperature	-40 °C to +70 °C (-40 °F to 158 °F)
• Storage temperature	-40 °C to +70 °C (-40 °F to 158 °F)
• Humidity non-condensing	max. 90%
• Atmospheric pressure	750 hPa to 1100 hPa
• Degree of protection	IP65
• EMC	IEC / EN 61000-6-2 IEC / EN 61000-6-4
• Max. ambient noise level	110 dB

**INDUSTRONIC®**

Industrie-Electronic GmbH & Co. KG  
 Carl-Jacob-Kolb-Weg 1  
 97877 Wertheim / Germany

Tel.: +49 9342 871-0  
 Fax: +49 9342 871-565

info@industronic.de  
 www.industronic.com