

# 12 DSS 002

## Digital Service Intercom Station



### Main features

- Indication of the actual error messages
- Call and busy signals by light emitting diodes
- Noise compensated gooseneck microphone with dynamic compression
- Adjustment of microphone sensitivity and loudspeaker output
- Unilaterally controlled communication with all stations of the system

The digital service intercom station 12 DSS 002 is part of the INDUSTRONIC communication and public address system with digital interfaces. It is used to display diagnosed error messages as well as to test connections to other stations.

### Components

- Plastic housing (ABS) with bottom plate made of metal
- Gooseneck microphone 290 mm (11 1/2")
- Loudspeaker
- Dial keypad
- 12 keys for direct connections
- 4 function keys
- Display
- Electronics unit

### Options

- Handset 1 HAS 004
- Booster amplifier 25 DVT

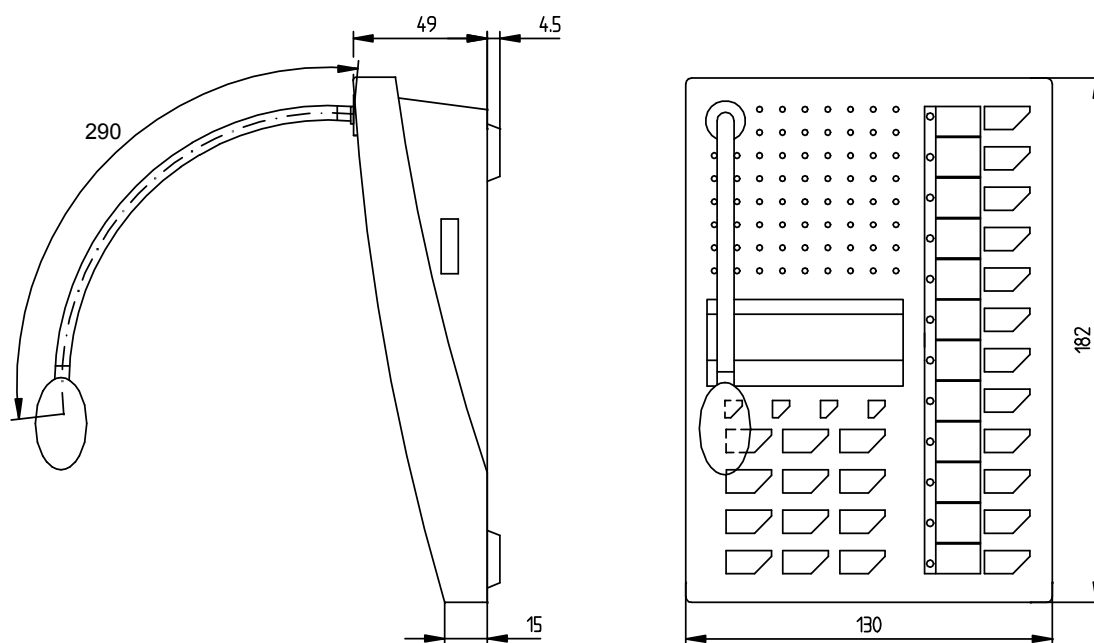


Figure 1: Dimensional drawing 12 DSS 002

#### Mechanical data

• Height x width x depth station (without microphone)	55 mm x 130 mm x 182 mm (7 1/4" x 5" x 2 1/4")
• Weight station	ca. 0.8 kg (approx. 1 3/4 lb)
• Height x width x depth booster amplifier 25 DVT	70 mm x 110 mm x 189 mm (4 1/4" x 7 1/2" x 2 3/4")
• Weight booster amplifier 25 DVT	ca. 0.7 kg (approx. 1 1/2 lb)

#### Electrical data intercom station

• Operating voltage range	42 VDC to 72 VDC
• Quiescent & max. current consumption	10 mA, 100 mA
• Loudspeaker output power	1 W
• Sound pressure level (distance 1 m)	75 dB
• Frequency range	300 Hz to 3400 Hz
• Output level AF signal	0 dB
• Loudspeaker	5 W / 4 ohm

---

**Electrical data booster amplifier**

- |                                       |                  |
|---------------------------------------|------------------|
| • Operating voltage range             | 42 VDC to 72 VDC |
| • Quiescent, max. current consumption | 20 mA, 850 mA    |
| • Output power                        | 25 W / 400 ohm   |

---

**Environmental requirements and standards**

- |                           |  |
|---------------------------|--|
| • Storage temperature     | 0 °C to +55 °C<br>(32 °F to 131 °F)      |
| • Ambient temperature     | 0 °C to +55 °C<br>(32 °F to 131 °F)      |
| • Humidity non-condensing | max. 90%                                 |
| • Atmospheric pressure    | 750 hPa to 1100 hPa                      |
| • Degree of protection    | IP41                                     |
| • EMC                     | IEC / EN 61000-6-2<br>IEC / EN 61000-6-4 |

**INDUSTRONIC®**

Industrie-Electronic GmbH & Co. KG  
 Carl-Jacob-Kolb-Weg 1  
 97877 Wertheim / Germany

Tel.: +49 9342 871-0  
 Fax: +49 9342 871-565

info@industronic.de  
 www.industronic.com