

## 12 DT 002

### Digital Desktop Intercom Station



#### Main features

- Dialing to any station via dial keypad
- All keys for direct connection with individual labeling area
- Call and busy signals by light emitting diodes
- Noise compensated gooseneck microphone with dynamic compression
- Adjustment of microphone sensitivity and loudspeaker output
- Menu-driven operation via control keys

The digital desktop intercom station 12 DT 002 is part of the INDUSTRONIC communication and public address system with digital interfaces. They are designed for use in control stations, measuring stations or control rooms. The compact design integrates a 12-key dial keypad with display as well as 12 direct connection keys with labelling areas and signaling.

#### Components

- Plastic housing (ABS) with bottom plate made of metal
- Gooseneck microphone 290 mm (11 1/2")
- Loudspeaker
- Dial keypad
- 12 keys for immediate connections
- 4 function keys
- Display
- Electronics unit

#### Options

- Handset 1 HAS 004
- Booster amplifier 25 DVT

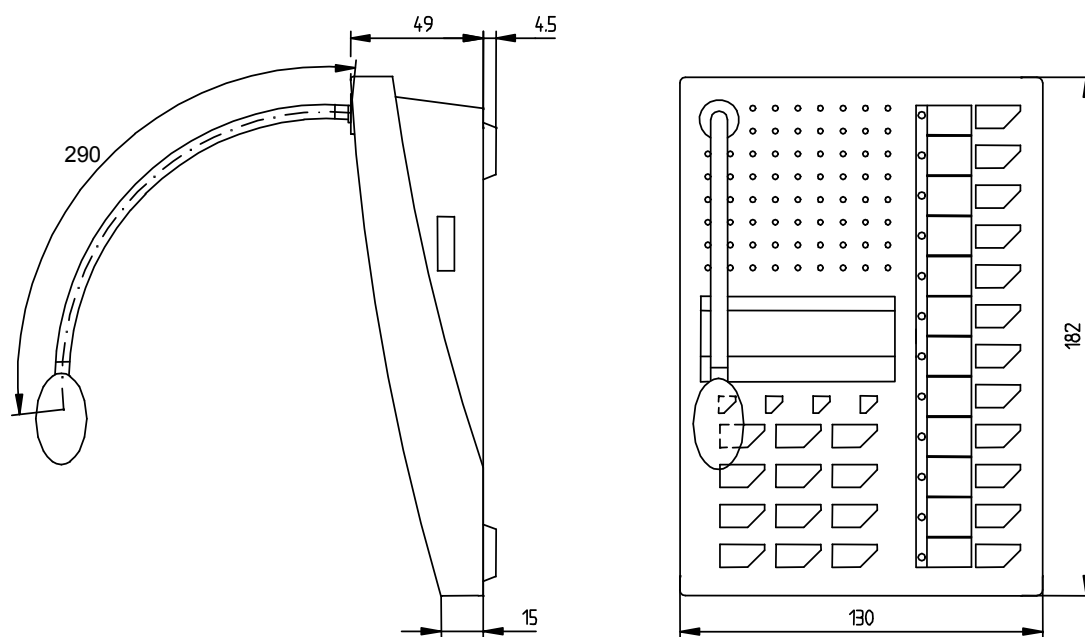


Figure 1: Dimensional drawing 12 DT 002

#### Mechanical data

• Height x width x depth station (without microphone)	55 mm x 130 mm x 182 mm (7 1/4" x 5" x 2 1/4")
• Weight station	ca. 0.8 kg (approx. 1 3/4 lb)
• Height x width x depth booster amplifier 25 DVT	70 mm x 110 mm x 189 mm (4 1/4" x 7 1/2" x 2 3/4")
• Weight booster amplifier 25 DVT	ca. 0.7 kg (approx. 1 1/2 lb)

#### Electrical data intercom station

• Operating voltage range	42 VDC to 72 VDC
• Quiescent & max. current consumption	10 mA, 100 mA
• Loudspeaker output power	1 W
• Sound pressure level (distance 1 m)	75 dB
• Frequency range	300 Hz to 3400 Hz
• Output level AF signal	0 dB
• Loudspeaker	5 W / 4 ohm

---

**Electrical data booster amplifier**

- |                                       |                  |
|---------------------------------------|------------------|
| • Operating voltage range             | 42 VDC to 72 VDC |
| • Quiescent, max. current consumption | 20 mA, 850 mA    |
| • Output power                        | 25 W / 400 ohm   |

---

**Environmental requirements and standards**

- |                           |  |
|---------------------------|--|
| • Storage temperature     | 0 °C to +55 °C<br>(32 °F to 131 °F)      |
| • Ambient temperature     | 0 °C to +55 °C<br>(32 °F to 131 °F)      |
| • Humidity non-condensing | max. 90%                                 |
| • Atmospheric pressure    | 750 hPa to 1100 °hPa                     |
| • Degree of protection    | IP41                                     |
| • EMC                     | IEC / EN 61000-6-2<br>IEC / EN 61000-6-4 |

**INDUSTRONIC®**

Industrie-Electronic GmbH & Co. KG  
 Carl-Jacob-Kolb-Weg 1  
 97877 Wertheim / Germany

Tel.: +49 9342 871-0  
 Fax: +49 9342 871-565

info@industronic.de  
 www.industronic.com