

6 DAZ 001

Extension Unit with 3 Twin Keys



Main features

- Modular design for easy maintenance
- 3 twin keys, free of wear, to set up communication links
- Call or busy signal by light emitting diodes

The extension unit 6 DAZ 001 with three twin keys is a part of the INDUSTRONIC communication and public address system with digital interfaces. It provides three double switches for the extension of the digital DA outdoor stations. Up to five extension units may be connected to one outdoor station.

Components

- Two-part glass fibre reinforced polyester housing, hardly inflammable
- Basic housing with connection board
- 3 switch modules 2 HDX 04 with 2 keys each, signaling and labeling field
- 6 DSZ 01 electronics unit
- Color RAL 3000 (red)

Options

- Color RAL 7005 (grey, Type: 6 DAZ 001/GY)
- Color RAL 2004 (orange, Type: 6 DAZ 001/OG)

Mechanical data

- | | |
|--------------------------|---|
| • Height x width x depth | 275 mm x 100 mm x 150 mm
(10 3/4" x 4" x 6") |
| • Cable glands | 2 x PG 16 |
| • Weight | ca. 2.5 kg (5 1/2 lb) |

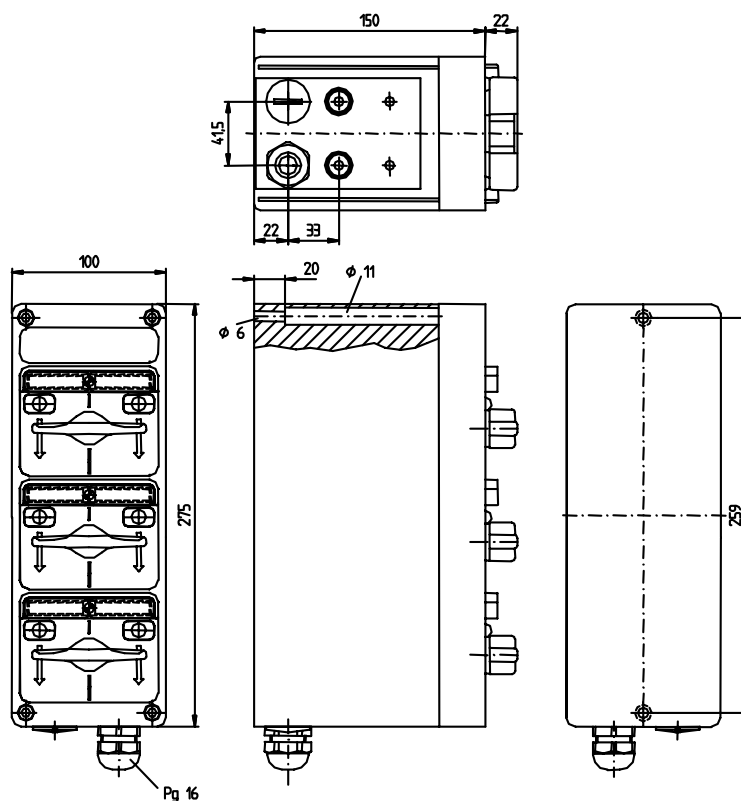


Figure 1: Dimensional drawing 6 DAZ 001

Electrical data

- | | |
|----------------------------|------------------|
| • Operating voltage range | 42 VDC to 68 VDC |
| • Max. current consumption | 20 mA |

Environmental requirements and standards

- | | |
|---------------------------|--|
| • Ambient temperature | -20 °C to +55 °C
(-4 °F to 131 °F) |
| • Storage temperature | -20 °C to +55 °C
(-4 °F to 131 °F) |
| • Degree of protection | IP65 |
| • Humidity non-condensing | max. 90% |
| • Atmospheric pressure | 750 hPa to 1100 hPa |
| • EMC | IEC / EN 61000-6-2
IEC / EN 61000-6-4 |

INDUSTRONIC®

Industrie-Electronic GmbH & Co. KG
Carl-Jacob-Kolb-Weg 1
97877 Wertheim / Germany

Tel.: +49 9342 871-0
Fax: +49 9342 871-565

info@industronic.de
www.industronic.com