

DX 003 - ATEX

Digital Explosion-Proof Intercom Station



Main features

- Modular design for easy maintenance
- Up to 3 twin keys for push-to-talk connections
- Call or busy signal by light emitting diodes
- Noise compensated microphone with dynamic compression
- Continuously adjustable microphone sensitivity and volume
- Potential-free relay point

The DX 003 intercom stations are part of the INDUSTRONIC communication and public address system with digital interfaces. They are especially designed for applications in hazardous areas as defined by the European standard EN 60079. Additionally they are approved for countries outside Europe according to their specific standards.

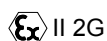
Approval:

PTB 00 ATEX 2137 X

Type of protection:

Ex d e ib IIC T4

Equipment category:



Explanation:

Ex	According to EN 60079
d	Flameproof
e	Increased safety
ib	Intrinsically safe category b
IIC	Most ignitable gas group
T4	Surface temperature <135 °C

Components

- Two part glass fiber reinforced polyester housing, hardly inflammable
- Chassis with flameproof chamber (d) and connection area of protection type "increased safety (e)"
- Electronics 1 DEX 01 in flameproof enclosure
- Intrinsically safe electronics unit 6 DSX 02
- Color RAL 3000 (red)

Options

- Color RAL 7005 (grey, DX 003-ATEX/GY)
- Booster amplifier 25 DVX 01

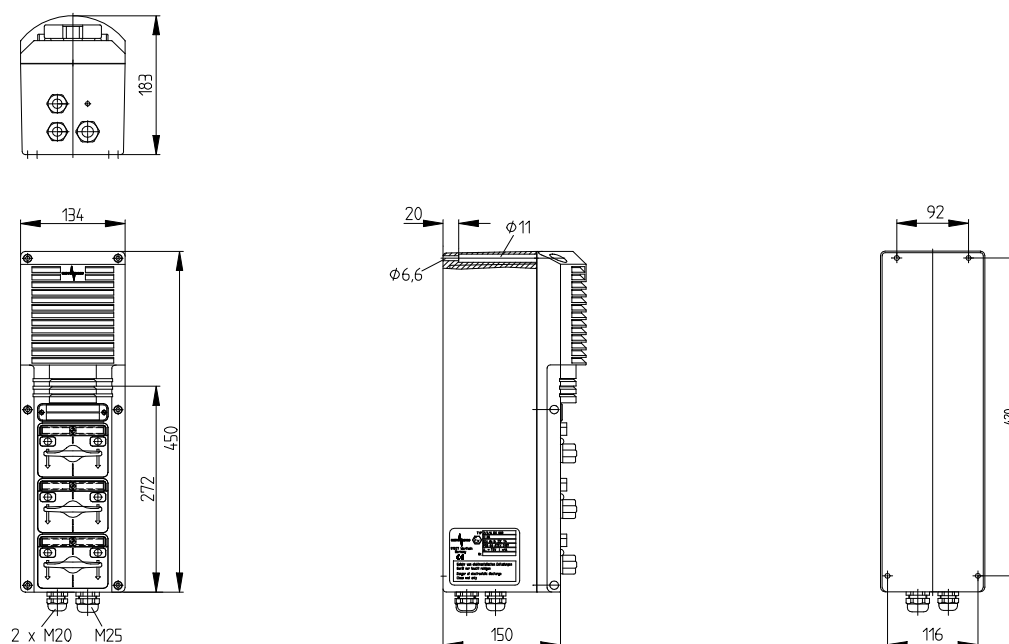


Figure 1: Dimensional drawing DX 003-ATEX

Mechanical data

• Height x width x depth	450 mm x 134 mm x 183 mm (17 3/4" x 5 1/4" x 7 1/4")
• Cable glands	2 x M20 + 1 x M25
• Weight	ca. 6.5 kg (approx. 14 1/4 lb)

Electrical data intercom station

• Operating voltage range	42 VDC to 72 VDC
• Quiescent & max. current consumption	20 mA, 70 mA
• Sound pressure level (distance 30 cm (11 3/4"))	106 dB
• Frequency range	300 Hz to 3400 Hz
• Loudspeaker	15 W / 8 ohm
• Relay contact	1 A, 90 VDC, 30 W

Electrical data booster amplifier

• Operating voltage range	42 VDC to 72 VDC
• Quiescent & max. current consumption	60 mA / 850 mA
• Output power	25 W / 400 ohm

Environmental requirements and standards

• Ambient temperature	-20 °C to +55 °C (-4 °F to 131 °F)
• Storage temperature	-20 °C to +55 °C (-4 °F to 131 °F)
• Degree of protection	IP65
• EMC	IEC / EN 61000-6-2 IEC / EN 61000-6-4
• Max. ambient noise level	100 dB

Approvals

• Russia	PPC 00-33337
• China (NEPSI)	GYJ05254
• India (CCE)	A/P/HQ/MH/104/2016

INDUSTRONIC®

Industrie-Electronic GmbH & Co. KG
 Carl-Jacob-Kolb-Weg 1
 97877 Wertheim / Germany

Tel.: +49 9342 871-0
 Fax: +49 9342 871-565

info@industronic.de
 www.industronic.com