

DX 013 - ATEX

Digital Explosion-Proof Intercom Station



Main features

- **Modular design for easy maintenance**
- **Dial keypad to set up communication links to any other destination**
- **Up to 2 twin keys for push-to-talk connections**
- **Call or busy signal by light emitting diodes**
- **Noise compensated microphone with dynamic compression**
- **Continuously adjustable microphone sensitivity and volume**
- **Potential-free relay point**

The DX 013 intercom stations are part of the INDUSTRONIC communication and public address system with digital interfaces. They are especially designed for applications in hazardous areas as defined by the European standard EN 60079. Additionally, they are approved for countries outside Europe according to their specific standards.


Approval:

PTB 00 ATEX 2137 X

Type of protection:

Ex d e ib IIC T4

Equipment category:

 II 2G

Explanation:

Ex	According to EN 60079
d	Flameproof
e	Increased safety
ib	Intrinsically safe category b
IIC	Most ignitable gas group
T4	Surface temperature <135 °C

Components

- Two-part glass fiber reinforced polyester housing, hardly inflammable
- Chassis with flameproof chamber (d) and connection area of protection type "increased safety (e)"
- Electronics 1 DEX 01 in flameproof enclosure
- Intrinsically safe electronics unit 6 DSX 02
- Numerical keypad module with 12 keys 12 DMW 02
- Color RAL 3000 (red)

Options

- Color RAL 7005 (grey, DX 013-ATEX/GY)
- Booster amplifier 25 DVX 01

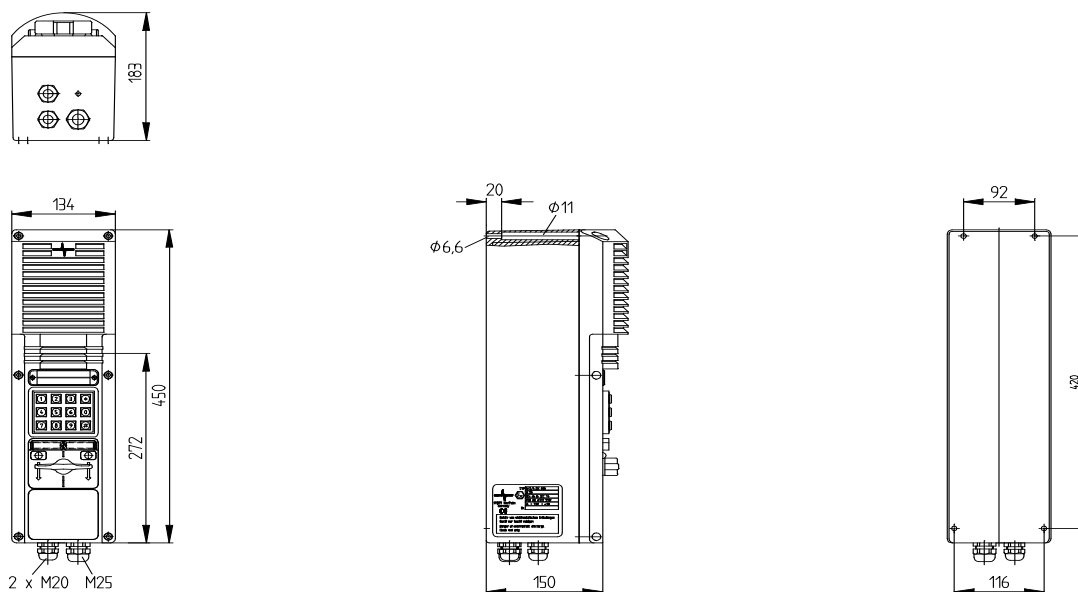


Figure 1: Dimensional drawing DX 013-ATEX

Mechanical data

- | | |
|--------------------------|---|
| • Height x width x depth | 450 mm x 134 mm x 183 mm
(17 ³ / ₄ " x 5 ¹ / ₄ " x 7 ¹ / ₄ ") |
| • Cable glands | 2 x M20 + 1 x M25 |
| • Weight | ca. 6.5 kg
(approx. 14 ¹ / ₄ lb) |

Electrical data intercom station

- | | |
|--|-------------------|
| • Operating voltage range | 42 VDC to 72 VDC |
| • Quiescent & max. current consumption | 20 mA, 70 mA |
| • Sound pressure level
(distance 30 cm (11 ³ / ₄ ")) | 106 dB |
| • Frequency range | 300 Hz to 3400 Hz |
| • Loudspeaker | 15 W / 8 ohm |
| • Relay contact | 1 A, 90 VDC, 30 W |

Electrical data booster amplifier

- | | |
|--|------------------|
| • Operating voltage range | 42 VDC to 72 VDC |
| • Quiescent & max. current consumption | 60 mA / 850 mA |
| • Output power | 25 W / 400 ohm |

Environmental requirements and standards

• Ambient temperature during operation	-20 °C to +55 °C (-4 °F to 131 °F)
• Humidity	Max. 95 %
• Degree of protection	IP65
• EMC	IEC / EN 61000-6-2 IEC / EN 61000-6-4
• Max. ambient noise level	100 dB

Approvals

• Russia (ROSTEKHNADZOR)	PPC 00-33337
• China (NEPSI)	GYJ05254
• India (CCE)	A/P/HQ/MH/104/2016

INDUSTRONIC®

Industrie-Electronic GmbH & Co. KG
 Carl-Jacob-Kolb-Weg 1
 97877 Wertheim / Germany

Tel.: +49 9342 871-0
 Fax: +49 9342 871-565

info@industronic.de
 www.industronic.com