

# 18 DSO 01 / 18 DSO 01/GY

## Universal Tower



### Main Features

- Robust and sturdy design
- Ideal for free-standing installations
- Suitable for digital Ex and outdoor intercom stations
- Usable at gates and access areas
- Cable is fed through the bottom of the tower base

The DSO universal tower is completely made of steel sheet and ideal for the use at gates, access areas etc. Digital ex and outdoor intercom stations can be installed.

The cable is fed through the bottom of the tower base.

Mechanical data	
• Dimensions (Width x Height x Depth)	170 mm x 1775 mm x 88.5 mm (6 3/4" x 70" x 3 1/2")
• Dimensions of base (Width x Height x Depth)	243 mm x 5 mm x 208 mm (9 1/2" x 1/5" x 8 1/4")
• Weight without outdoor intercom station	17.4 kg (38.36 lb)
• Thickness of sheet steel	2.5 mm (1/10")
• Standard colors (other colors on request)	red RAL 3000 grey RAL 7005

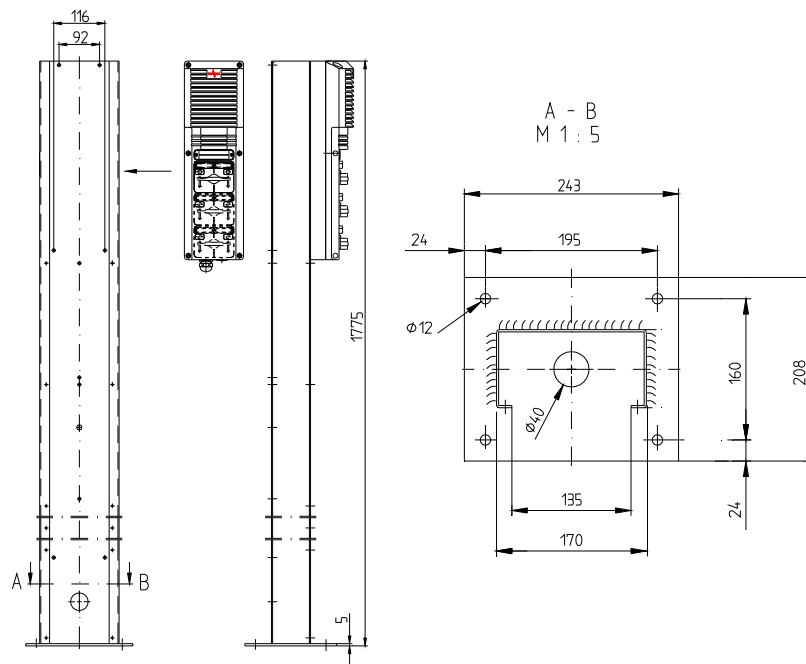


Figure 1: 18 DSO 01 with mounted 4 DX 013 – universal tower with digital explosion-proof intercom station

**INDUSTRONIC®**

Industrie-Electronic GmbH & Co. KG  
 Carl-Jacob-Kolb-Weg 1  
 97877 Wertheim / Germany

Tel.: +49 9342 871-0  
 Fax: +49 9342 871-565

info@industronic.de  
 www.industronic.com